



**MUNDUS**

# MUNDUS – The freedom of versatility

### Compelling benefits:

- Clear design lines, no visible fixings
- Wide range of surface finishes, colours and materials
- Particularly easy to install: Many MUNDUS fittings can be mounted on the glass and fixed into place in their as-delivered condition
- Fast installation, simple in-situ adjustment of the installed system
- set up for the right glass thickness: adaptable to different glass thicknesses without the need to change gaskets
- Improved load-bearing performance and more secure hold thanks to high-strength materials (screws and threaded sleeves of high-grade stainless steel capable of absorbing high clamping forces)
- Use of laminated safety glass (LSG) using dormakaba's proven Clamp&Glue technology for high quality and safety demands (MUNDUS Premium)

### Elegant appearance

MUNDUS fittings impress through their elegant design combining sharply defined, straight edges and rounded corners, high-quality materials and careful workmanship. There are no fixings to disrupt the smooth harmony of the surface finish. For a durable, elegant appearance, the cap consists of 2 mm thick and therefore particularly robust material – stainless steel or aluminum.

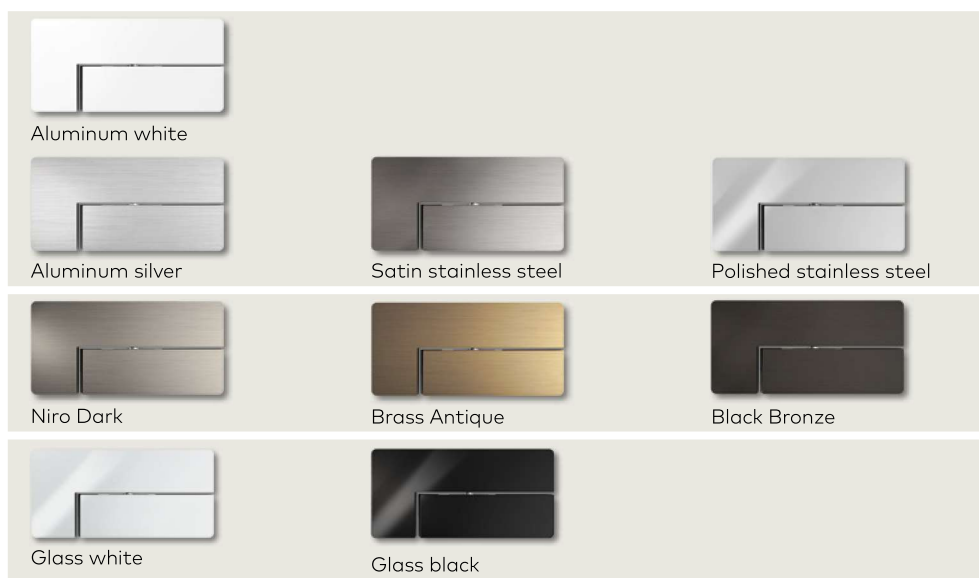
### MUNDUS offers patch fittings for 24 standard systems and numerous special solutions

– whether for an open-plan residential ambience, attractive office or prestigious shop entrance. Visually and technically impressive, MUNDUS glass fittings are suitable for a wide range of different requirements. The extensive portfolio encompasses connection fittings for the usual 24 standard systems such as PT 10, PT 40 or PT 70. It also accommodates special solutions for custom spatial requirements, such as PT 41 and PT 61 for glass assemblies stiffened with 90° glass fins.

### Quick and easy to install

MUNDUS fittings offer multi-dimensional in-situ adjustability, ensuring a firm fit every time. They facilitate infinite variability of the vertical gap dimensions and thus consistently correct setting of the pivot axis and zero position.

### Wide choice of finishes

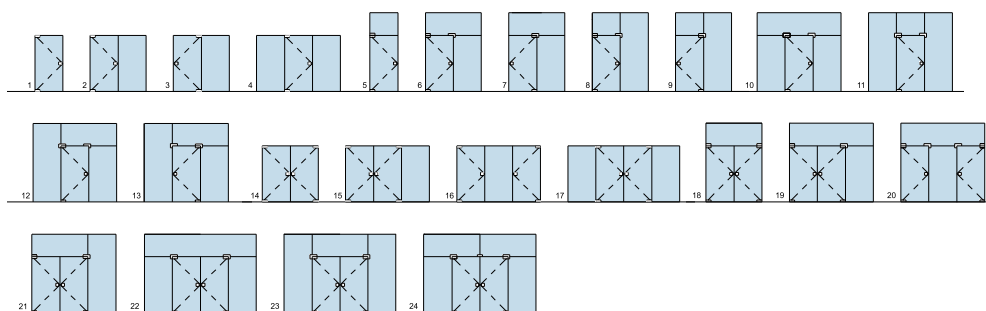


**Standard collection**  
dormakaba standard finishes, anodized or coated, satin or polished stainless steel.

**Exclusive collection**  
Treated metals such as anodized aluminum.

**Glass collection**  
Glass finishes enable the fittings to visually merge with glass doors, creating a completely new effect.

# MUNDUS – the technical specifications at a glance



MUNDUS	MUNDUS Premium	MUNDUS Comfort
Max. load-bearing capacity	200 kg	150 kg
Max. panel width	1,300 mm	1,100 mm
	The max. panel width depends on glass thickness and weight. For more information please see on the following page MUNDUS - Matrix for door dimensions.	
Possible glass thickness	8–12 mm 12–15 mm 15–19 mm 19–22 mm	8–12 mm
Suitable for LSG*	●	–
Supported pivot points in mm	55, 65, 70 mm	55, 65, 70 mm
Offset adjustability in mm	Infinite ( $\pm 3$ mm); 52–73 mm	Infinite ( $\pm 3$ mm); 52–73 mm
Adjustability of the door/insert	Multi-dimensional	Multi-dimensional
Cover materials	Stainless steel, aluminum, glass etc.	Stainless steel, aluminum
Test cycles:	1,000,000	500,000
Inhouse-Test according to EN 12400	Test certificates from an external accredited authority can be provided on request.	
Inhouse-Test according to EN 1670		

Materials and finishes	Availability	Corrosion class	Availability	Corrosion class
<b>Standard collection</b>				
Aluminum, white powder coated (White P 100 SG) (350, RAL 9016)	●	4	●	4
Aluminum, silver anodized (Silver N 600 ST) (compatible with finish 114) (150)	●	4	●	4
Satin stainless steel (Niro S 700 ST) (for MUNDUS) (750)	●	4	●	4
Polished stainless steel (Niro S 700 HG) (for MUNDUS) (751)	●	4	●	4
Special colour at option, powder coated (399)	●	4	●	4
<b>Exclusiv collection (Special colour anodized, 199)</b>				
Niro Dark (157)	●	4	–	
Brass Antique	●	4	–	
Black Bronze	●	4	–	
<b>Glass collection</b>				
Glass white	●	4	–	
Glass black	●	4	–	

1 – 4 Corrosion class according to EN 1670 (independent test confirmation on request) - Standard – not available

\* LSG out of 2 x TSG (= 2 panes each with a minimum glass thickness of 5 mm). Can be implemented with separately ordered gaskets and deploying dormakaba's proven Clamp&Glue technology.

# MUNDUS – Matrix for door dimensions

height (mm)	8 mm glass width (mm)				10–12 mm glass width (mm)				12–15 mm glass width (mm)				15–19 mm glass width (mm)				19–22 mm glass width (mm)			
	1,000	1,100	1,200	1,300	1,000	1,100	1,200	1,300	1,000	1,100	1,200	1,300	1,000	1,100	1,200	1,300	1,000	1,100	1,200	1,300
2,000	Green	Green	Green	Green	Green	Green	Green	Green	Green	Green	Green	Green	Green	Green	Green	Green	Green	Green	Green	Green
2,100	Blue	Blue	Blue	Blue	Green	Green	Green	Green	Green	Green	Green	Green	Green	Green	Green	Green	Green	Green	Green	Green
2,200	Blue	Blue	Blue	Blue	Green	Green	Green	Green	Green	Green	Green	Green	Green	Green	Green	Green	Green	Green	Green	Green
2,300	Blue	Blue	Blue	Blue	Green	Green	Green	Green	Green	Green	Green	Green	Green	Green	Green	Green	Green	Green	Green	Green
2,400	Blue	Blue	Blue	Blue	Green	Green	Green	Green	Green	Green	Green	Green	Green	Green	Green	Green	Green	Green	Green	Green
2,500	Blue	Blue	Blue	Blue	Green	Green	Green	Green	Green	Green	Green	Green	Green	Green	Green	Green	Green	Green	Green	Green
2,600	Orange	Orange	Orange	Orange	Blue	Blue	Blue	Blue	Green	Green	Green	Green	Green	Green	Green	Green	Green	Green	Green	Green
2,700	Orange	Orange	Orange	Orange	Blue	Blue	Blue	Blue	Green	Green	Green	Green	Green	Green	Green	Green	Green	Green	Green	Green
2,800	Orange	Orange	Orange	Orange	Blue	Blue	Blue	Blue	Green	Green	Green	Green	Green	Green	Green	Green	Green	Green	Green	Green
2,900	Orange	Orange	Orange	Orange	Blue	Blue	Blue	Blue	Green	Green	Green	Green	Green	Green	Green	Green	Green	Green	Green	Green
3,000	Orange	Orange	Orange	Orange	Blue	Blue	Blue	Blue	Green	Green	Green	Green	Green	Green	Green	Green	Green	Green	Green	Green
3,100	Orange	Orange	Orange	Orange	Orange	Orange	Orange	Orange	Yellow	Yellow	Yellow	Yellow	Yellow	Yellow	Yellow	Yellow	Yellow	Yellow	Yellow	Yellow
3,200	Orange	Orange	Orange	Orange	Orange	Orange	Orange	Orange	Yellow	Yellow	Yellow	Yellow	Yellow	Yellow	Yellow	Yellow	Yellow	Yellow	Yellow	Yellow
3,300	Orange	Orange	Orange	Orange	Orange	Orange	Orange	Orange	Yellow	Yellow	Yellow	Yellow	Yellow	Yellow	Yellow	Yellow	Yellow	Yellow	Yellow	Yellow
3,400	Orange	Orange	Orange	Orange	Orange	Orange	Orange	Orange	Yellow	Yellow	Yellow	Yellow	Yellow	Yellow	Yellow	Yellow	Yellow	Yellow	Yellow	Yellow
3,500	Orange	Orange	Orange	Orange	Orange	Orange	Orange	Orange	Yellow	Yellow	Yellow	Yellow	Yellow	Yellow	Yellow	Yellow	Yellow	Yellow	Yellow	Yellow
3,600	Orange	Orange	Orange	Orange	Orange	Orange	Orange	Orange	Yellow	Yellow	Yellow	Yellow	Yellow	Yellow	Yellow	Yellow	Yellow	Yellow	Yellow	Yellow
3,700	Orange	Orange	Orange	Orange	Orange	Orange	Orange	Orange	Yellow	Yellow	Yellow	Yellow	Yellow	Yellow	Yellow	Yellow	Yellow	Yellow	Yellow	Yellow
3,800	Orange	Orange	Orange	Orange	Orange	Orange	Orange	Orange	Yellow	Yellow	Yellow	Yellow	Yellow	Yellow	Yellow	Yellow	Yellow	Yellow	Yellow	Yellow
3,900	Orange	Orange	Orange	Orange	Orange	Orange	Orange	Orange	Yellow	Yellow	Yellow	Yellow	Yellow	Yellow	Yellow	Yellow	Yellow	Yellow	Yellow	Yellow
4,000	Orange	Orange	Orange	Orange	Orange	Orange	Orange	Orange	Yellow	Yellow	Yellow	Yellow	Yellow	Yellow	Yellow	Yellow	Yellow	Yellow	Yellow	Yellow

- Suitable for use without any technical limitations.
- Pull handle necessary extending over 2/3 of the door height with at least 3 fixing points. Glass and fitting must be adhesive-bonded.
- Glass and fitting must be adhesive-bonded.
- Use of MUNDUS fittings is not recommended. Please contact your dormakaba partner in order to discuss possible alternatives.
- This door dimension is unfortunately not possible with MUNDUS.



## Extensive suitability, effortless installation





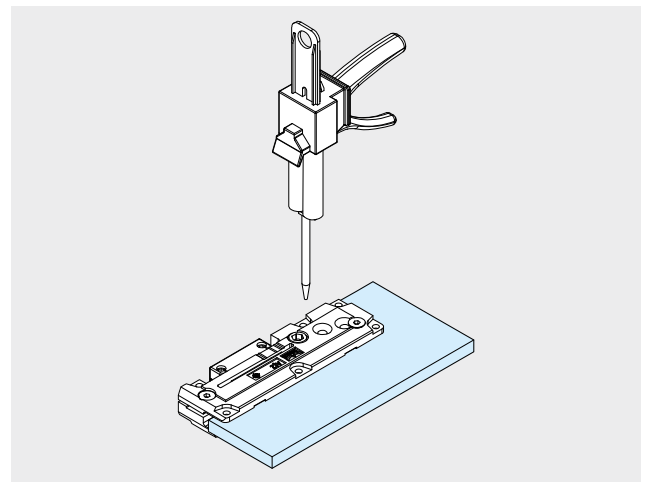
### **MUNDUS Premium – Providing a totally reliable hold – Clamp&Glue technology**

#### **Providing a totally reliable hold – Clamp&Glue technology**

Proven dormakaba technology for the installation of laminated safety glass. An additional adhesive bond ensures a firm hold and permanent cohesion between fitting and glass.

#### **The bonding process following the fixing of the fitting is remarkably easy:**

- Before commencing with the gluing operation, you will need to replace the standard gaskets with special gaskets suitable for laminated safety glass\*
- The glue is fed through the holes provided until it emerges from the overflow openings in the clamp fittings
- The process is then repeated on the rear face
- Allow the glue to harden.



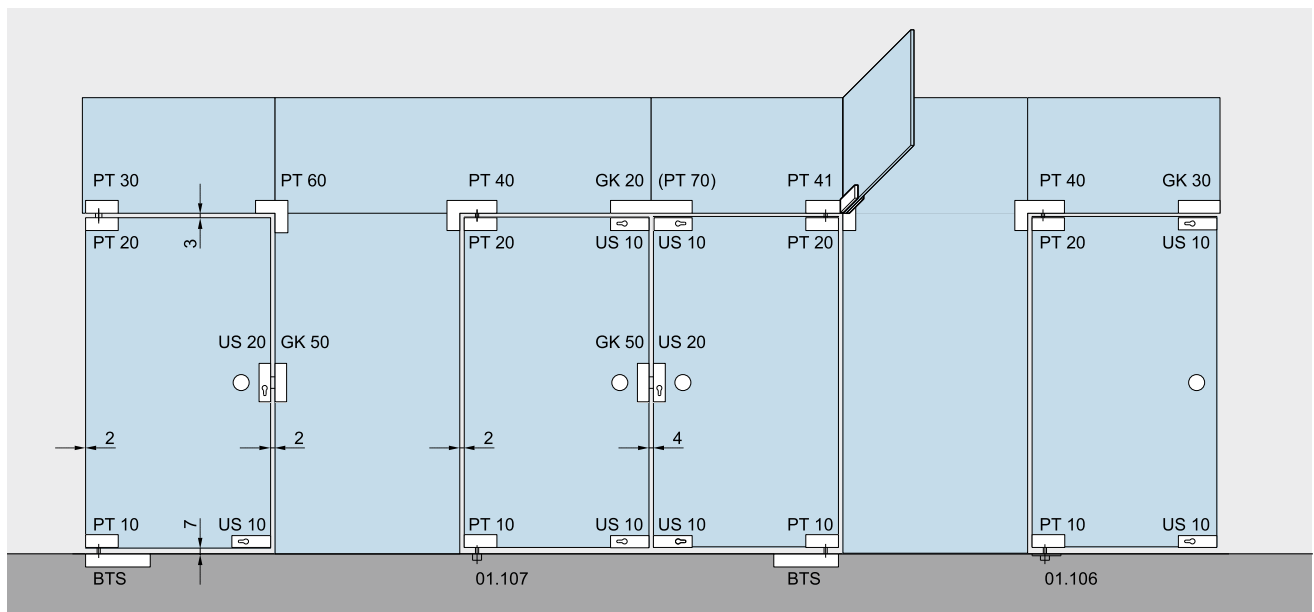
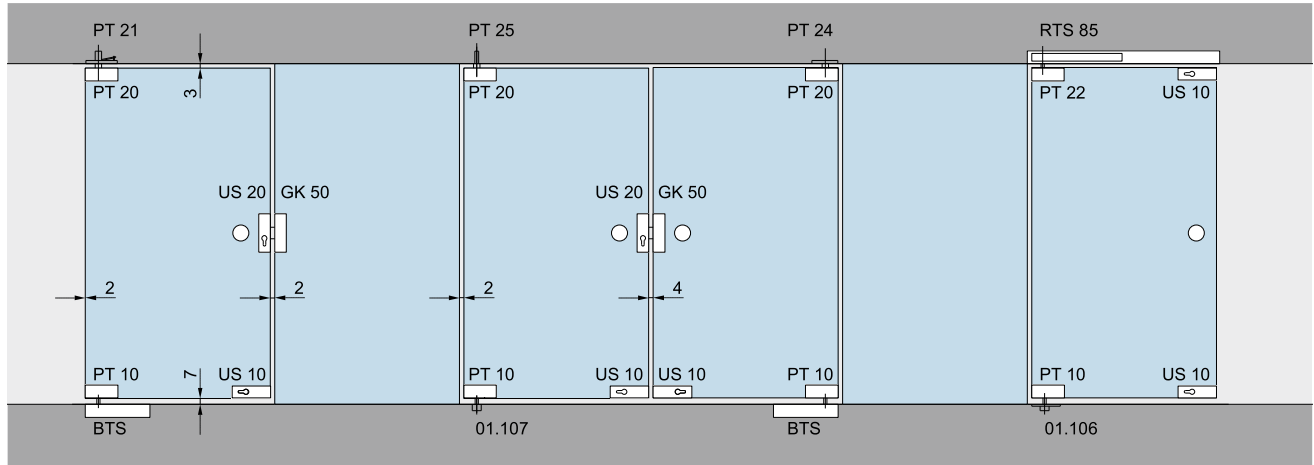
\*The LSG gaskets may only be used when fixing glass using the Clamp&Glue technology

#### **MUNDUS and laminated safety glass (LSG) – a combination that offers impressive advantages:**

- High safety for users, even in the case of large glass assemblies
- Improved acoustic insulation and reduced noise levels achievable by integrating a sound deadening film
- Deploying glass doors as a design element – specially designed films for individual aesthetics
- Use of LSG comprising 2 x TSG (= 2 panes each with a minimum glass thickness of 5 mm).

# Type illustration

**Toughened glass assemblies with fittings (55/65/70 mm pivot point) and locks.**



BTS = Floor spring  
GK = Strike box

PT = Patch  
RTS = Transom closer

US = Lock

## Maximum door weight and width for MUNDUS fittings

Max. door weight:  
MUNDUS Premium: 200 kg  
MUNDUS Comfort: 150 kg

Max. door width:  
MUNDUS Premium: 1,300 mm  
MUNDUS Comfort: 1,100 mm

For doors with a height of more than 2,500 mm we should keep additional conditions/limits:

- Glass thickness  $\geq 10$  mm
- Usage of a handle bar with 3 connection points in minimum and a minimum height of 2/3 door height

The max. panel width depends on glass thickness and weight. For more information please see on page 10, MUNDUS - Matrix for door dimensions.



**Use of door closers:**

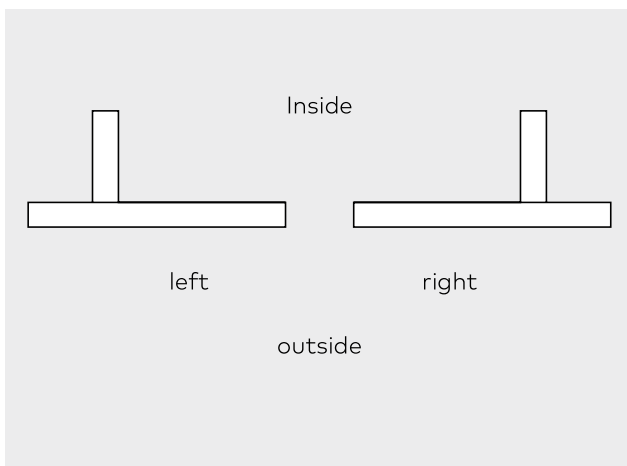
Doors  $\leq 1,100$  mm must be provided with door closers of type EN 3 (with or without backcheck), and doors  $> 1,100$  mm need to be fitted with larger door closers (e.g. EN 4, 5 or 6) with or without backcheck.

**Glass panels**

The individual glass panels may show production tolerances in geometry and dimensions that sum up to larger deviations in larger glass assemblies. These deviations are not shown in the exemplary constructional set up above.

**Note for stiffening elements:**

"Left" or "Right" is always determined from the outside and as viewed from above.



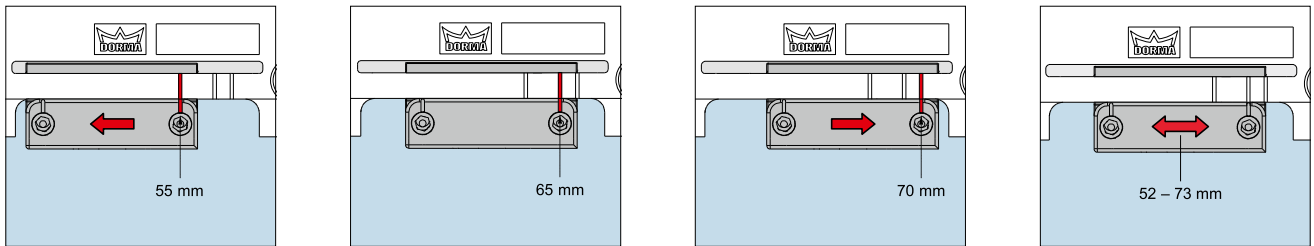
# Easy to install, easy to adjust

## Fast and uncomplicated fixing

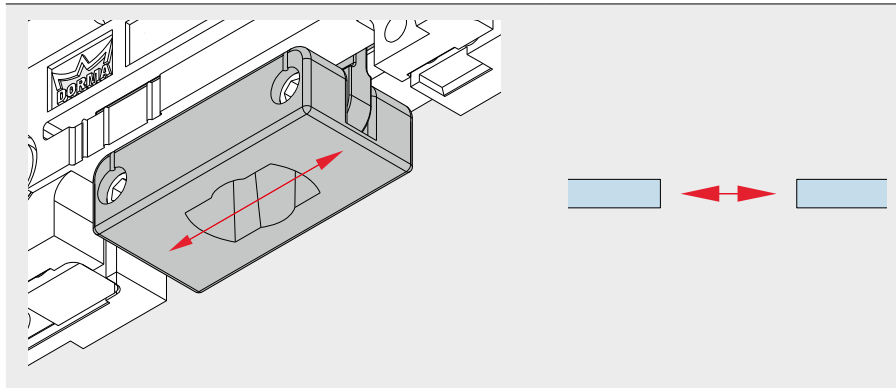
MUNDUS patch fittings always fit snugly on the glass thanks to their multi-dimensional variability. They facilitate infinite adjustment of the vertical gap dimensions and location accuracy in terms of both pivot point and zero position.

## Optimum gap dimensions

Thanks to the infinitely variable, multi-dimensional adjustability of the patch fittings, the door can be optimally aligned following installation.

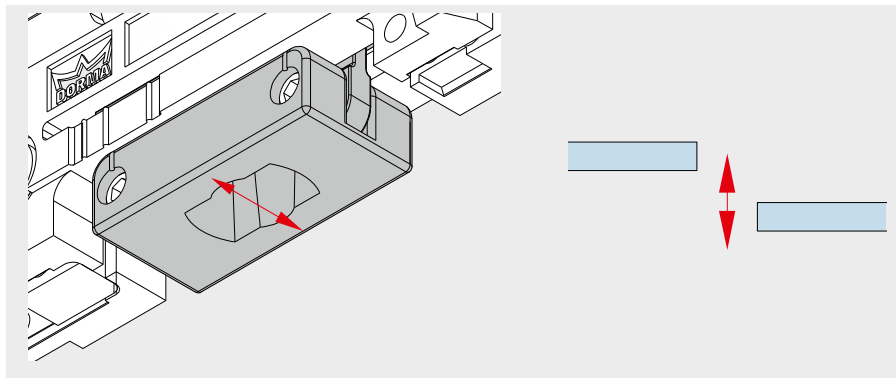


## Multi-dimensional adjustability even when mounted



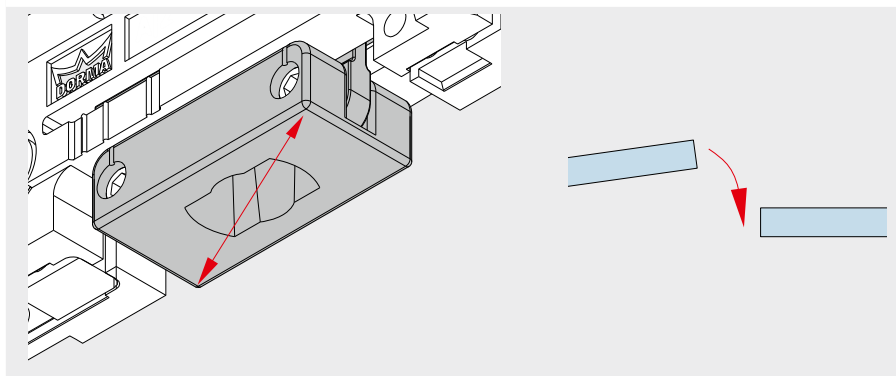
### Alignment in the X axis

Individual adjustment of the pivot point, infinitely variable between 52 and 73 mm.



### Alignment in the Z axis

Infinite variability of the door position to achieve flush alignment thanks to adjustment of up to 1 mm for a glass thickness of 8 mm, or 3 mm for a glass thickness of 12 mm.



### Zero position adjustment

Infinite alignment variability of the door to achieve the correct zero position by adjustment around the axis of rotation in the range +/- 1.5°.

## Easy to install, safe and secure

With MUNDUS, you do not require new or additional gaskets in order to adjust the fittings to the glass thickness. With MUNDUS, the glass thickness is defined by two screws in the base unit of the patch fitting, allowing the use of glazing ranging from 8 to 22 mm.



### Suitable for different glass thicknesses

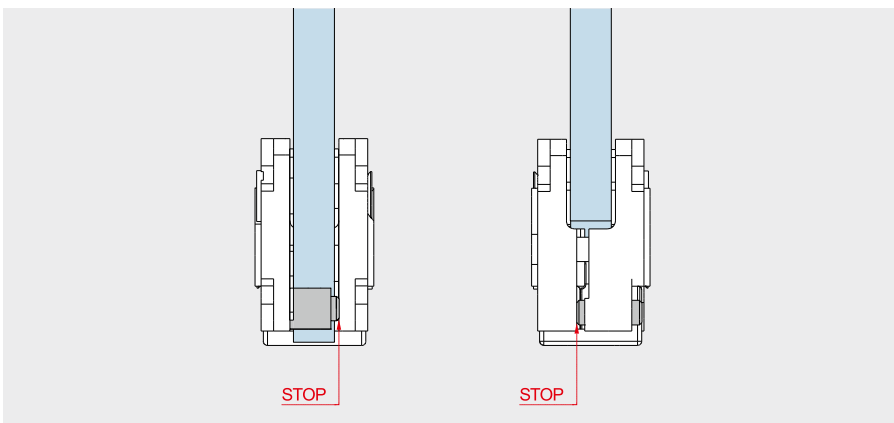
**MUNDUS Premium:**  
Accommodating glass thicknesses of 8–12 mm, 12–15 mm, 15–19 mm and 19–22 mm with infinite adjustability in a single fitting. The gaskets that you had to separately order for toughened safety glass are now a thing of the past. You always have the right fitting to hand. That means: fast installation, more time, more design content.

Glass thickness:	8–12 mm
	12–15 mm
	15–19 mm
	19–22 mm
Max. Door weights:	200 kg

<b>MUNDUS Comfort:</b>	
Glass thickness:	8–12 mm
Max. Door weights:	150 kg

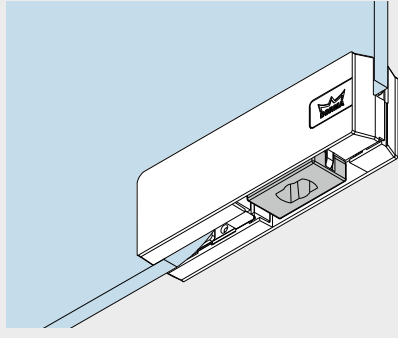
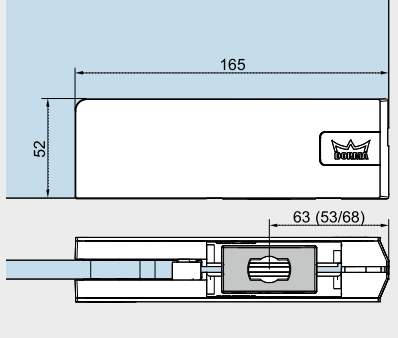
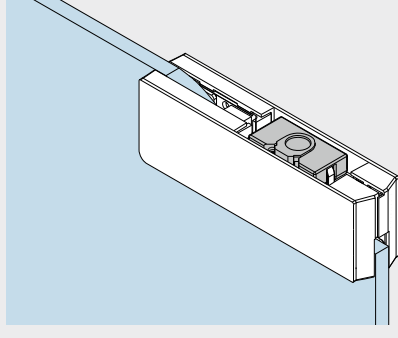
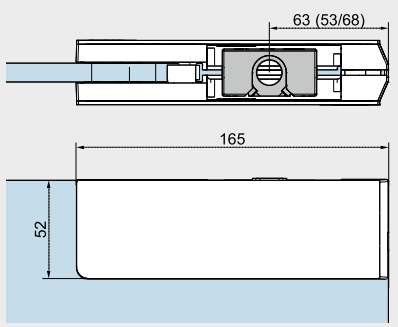
### Protection from unauthorised access

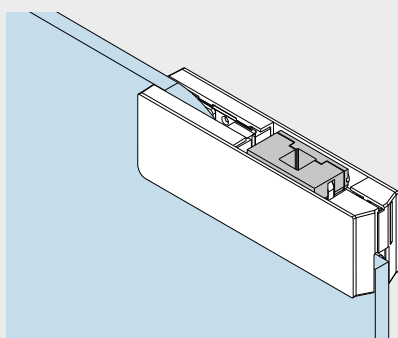
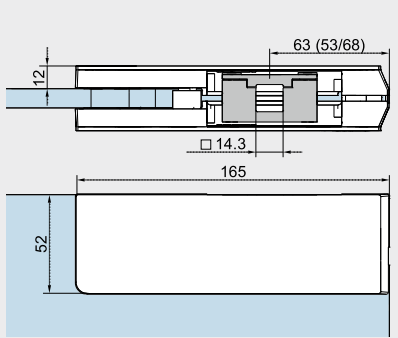
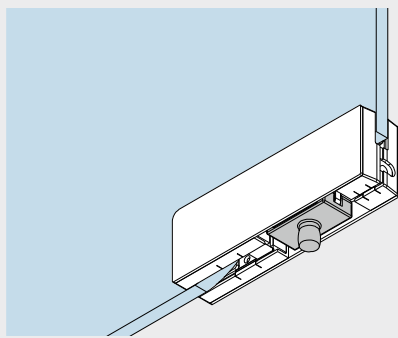
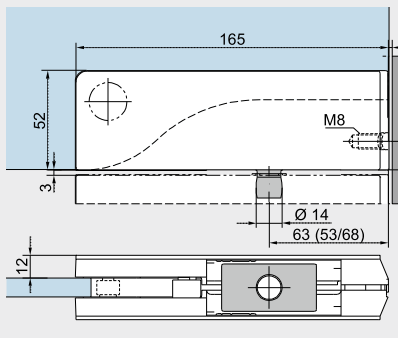
The positioning of the clamping screws also provides for additional protection against unauthorised access to your interiors. The screws are distributed on both sides of the base unit so that disassembly from one side is not possible.



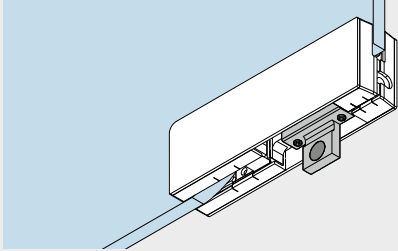
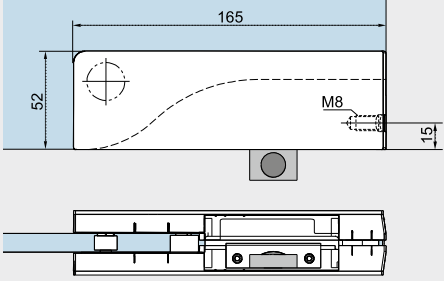
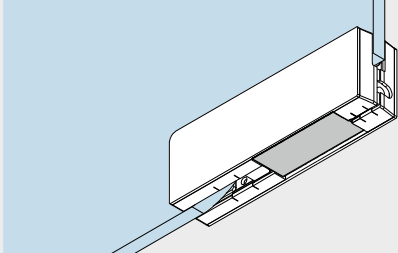
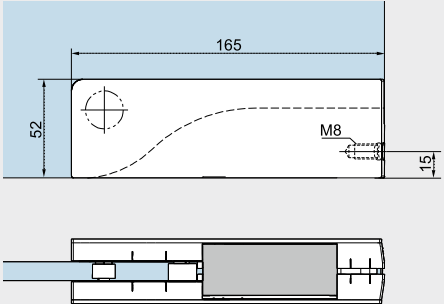
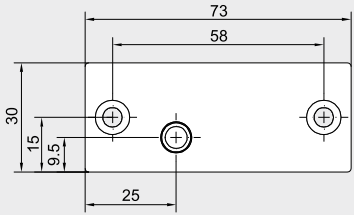
# Patch fittings

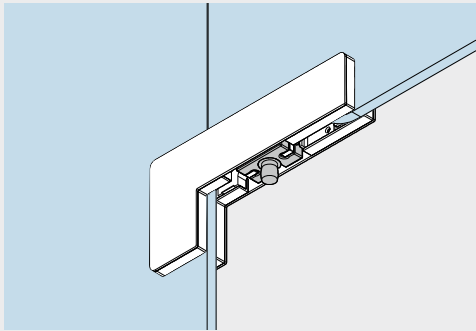
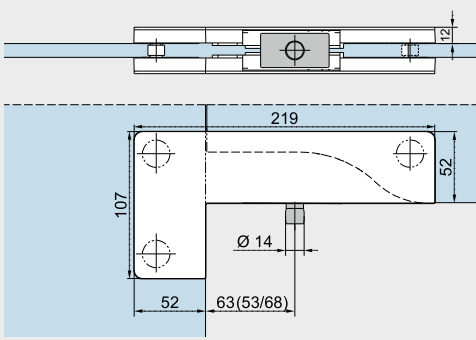
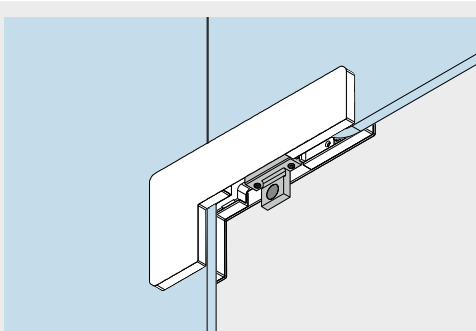
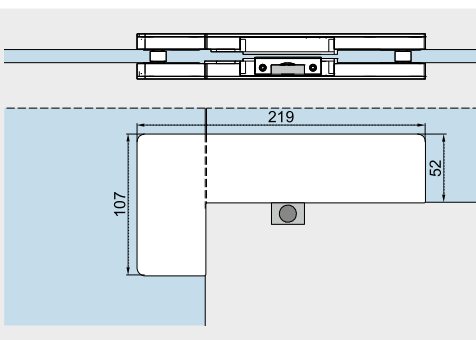
Shown with 10 mm glass. When used with other glass thicknesses, the measurements change accordingly.

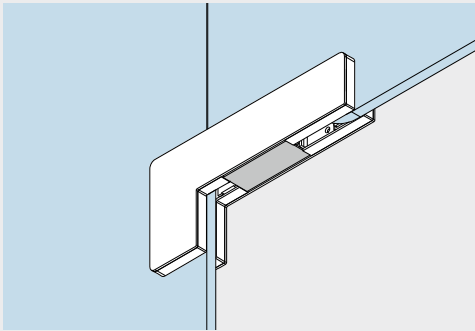
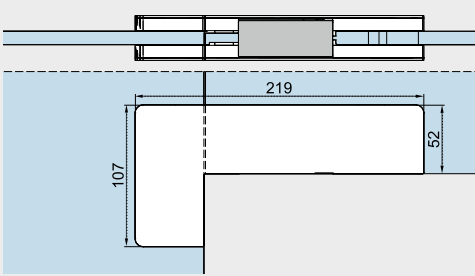
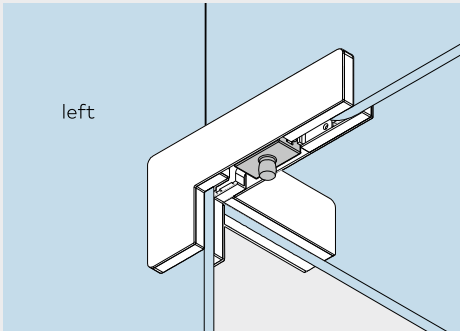
	Product description	Glass thickness	Art. No.
	<p><b>PT 10 Premium bottom patch fitting</b>                      use for flat-conical floor spring spindle or round pivot Ø 14 mm.                      For glass weight up to 200 kg and use with toughened safety glass (TSG). Also prepared for use with laminated safety glass (LSG) – separate gaskets required</p>	<p>8–12 mm                      12–15 mm                      15–19 mm                      19–22 mm</p>	<p><b>42.100</b>  <b>42.101</b>  <b>42.102</b>  <b>42.103</b></p>
	<p><b>PT 10 Comfort bottom patch fitting</b>                      use for flat-conical floor spring spindle or round pivot Ø 14 mm.                      For glass weight up to 150 kg and use with toughened safety glass (TSG).</p>	<p>8–12 mm</p>	<p><b>38.100</b></p>
	<p><b>PT 20 Premium top patch fitting</b>                      with plastic socket for pivot Ø 14 mm.                      For glass weight up to 200 kg and use with toughened safety glass (TSG). Also prepared for use with laminated safety glass (LSG) – separate gaskets required.</p>	<p>8–12 mm                      12–15 mm                      15–19 mm                      19–22 mm</p>	<p><b>42.200</b>  <b>42.201</b>  <b>42.202</b>  <b>42.203</b></p>
	<p><b>PT 20 Comfort top patch fitting</b>                      with plastic socket for pivot Ø 14 mm.                      For glass weight up to 150 kg and use with toughened safety glass (TSG).</p>	<p>8–12 mm</p>	<p><b>38.200</b></p>

	Product description	Glass thickness	Art. No.
	<p><b>PT 22 Premium*</b>  <b>top patch fitting</b>                      for a glass weight up to 80 kg                      with insert for transom closer DORMA RTS.                      For use with toughened safety glass (TSG). Also prepared for use with laminated safety glass (LSG) – separate gaskets required.</p>	<p>8–12 mm                      12–15 mm                      15–19 mm                      19–22 mm</p>	<p><b>42.220</b>  <b>42.221</b>  <b>42.222</b>  <b>42.223</b></p>
	<p><b>PT 22 Comfort*</b>  <b>top patch fitting</b>                      with insert for transom closer DORMA RTS.                      For use with toughened safety glass (TSG).</p>	<p>8–12 mm</p>	<p><b>38.220</b></p>
	<p><b>PT 30 Premium</b>  <b>overpanel patch fitting</b>                      with pivot Ø 14 mm and M 8 tapped hole at side.                      For use with toughened safety glass (TSG). Also prepared for use with laminated safety glass (LSG) – separate gaskets required.</p>	<p>8–12 mm                      12–15 mm                      15–19 mm                      19–22 mm</p>	<p><b>42.300</b>  <b>42.301</b>  <b>42.302</b>  <b>42.310</b></p>
	<p><b>PT 30 Comfort</b>  <b>overpanel patch fitting</b>                      with pivot Ø 14 mm and M 8 tapped hole at side.                      for use with toughened safety glass (TSG).</p>	<p>8–12 mm</p>	<p><b>38.300</b></p>

\* The maximum permissible door heights and door widths depend on the closing device used and its spring strength / closing force. The maximum allowable door weight in combination with an RTS transom-concealed door closer is 110 kg, the maximum allowable panel width is 1,100 mm.

	Product description	Glass thickness	Art. No.
	<p><b>PT 30 Premium overpanel patch fitting</b> with stop insert. For use with toughened safety glass (TSG). Also prepared for use with laminated safety glass (LSG) – separate gaskets required.</p>	<p>8–15 mm 15–19 mm 19–22 mm</p>	<p><b>42.303</b> <b>42.305</b> <b>42.311</b></p>
	<p><b>PT 30 Comfort overpanel patch</b> with stop insert. For use with toughened safety glass (TSG).</p>	<p>8–15 mm</p>	<p><b>38.303</b></p>
	<p><b>PT 30 Premium overpanel patch fitting</b> with blanking insert. For use with toughened safety glass (TSG). Also prepared for use with laminated safety glass (LSG) – separate gaskets required.</p>	<p>8–15 mm 15–19 mm 19–22 mm</p>	<p><b>42.306</b> <b>42.308</b> <b>42.312</b></p>
	<p><b>PT 30 Comfort overpanel patch</b> with blanking insert. For use with toughened safety glass (TSG).</p>	<p>8–15 mm</p>	<p><b>38.306</b></p>
	<p><b>Fixing plate</b> for MUNDUS overpanel patch fitting PT 30 and MUNDUS overpanel strike box GK 30 Weight in kg: 0.039</p> <p>Only available in satinized stainless steel, polished stainless steel or powder-coated stainless steel. Optionally wall anchor and threaded rod are applicable. (see page 31.)</p>	<p><b>38.313</b></p>	

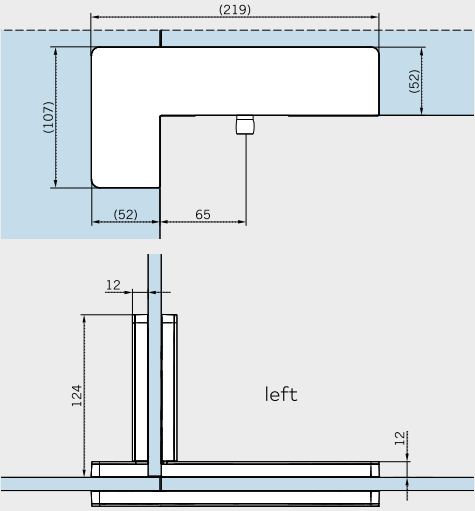
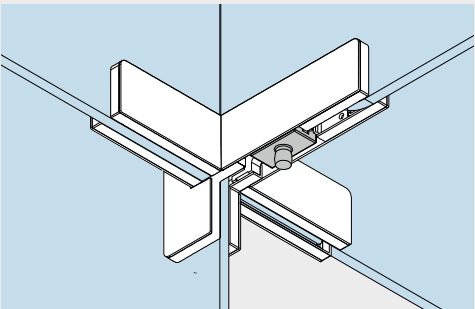
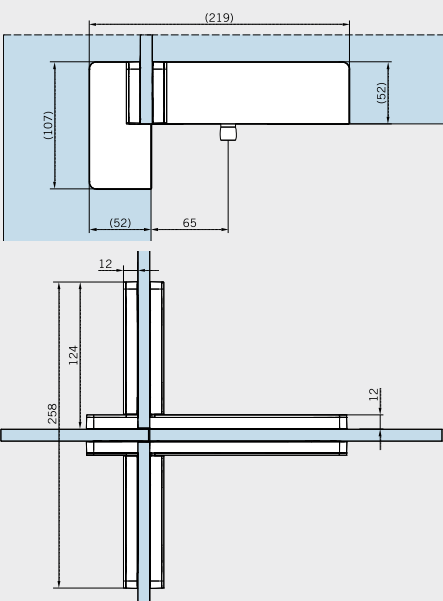
	Product description	Glass thickness	Art. No.
	<p><b>PT 40 Premium patch for overpanel and sidelight</b> with pivot Ø 14 mm. For use with toughened safety glass (TSG). Also prepared for use with laminated safety glass (LSG) – separate gaskets required.</p>	<p>8–12 mm 12–15 mm 15–19 mm 19–22 mm</p>	<p><b>42.400</b> <b>42.401</b> <b>42.402</b> <b>42.470</b></p>
	<p><b>PT 40 Comfort patch for overpanel and sidelight</b> with pivot Ø 14 mm. For use with toughened safety glass (TSG).</p>	<p>8–12 mm</p>	<p><b>38.400</b></p>
	<p><b>PT 40 Premium patch for overpanel and sidelight</b> with stop insert. For use with toughened safety glass (TSG). Also prepared for use with laminated safety glass (LSG) – separate gaskets required.</p>	<p>8–15 mm 15–19 mm 19–22 mm</p>	<p><b>42.403</b> <b>42.405</b> <b>42.471</b></p>
	<p><b>PT 40 Comfort patch for overpanel and sidelight</b> with stop insert. For use with toughened safety glass (TSG).</p>	<p>8–15 mm</p>	<p><b>38.403</b></p>
<p><b>Please note:</b> The load-bearing capability of the overpanel (fan light) is only ensured when using suitable wall connection profiles.</p>	<p><b>Please note:</b> The load-bearing capability of the overpanel (fan light) is only ensured when using suitable wall connection profiles.</p>	<p><b>Please note:</b> The load-bearing capability of the overpanel (fan light) is only ensured when using suitable wall connection profiles.</p>	<p><b>Please note:</b> The load-bearing capability of the overpanel (fan light) is only ensured when using suitable wall connection profiles.</p>

	Product description	Glass thickness	Art. No.		
	<b>PT 40 Premium patch for overpanel and sidelight</b> with blanking insert. For use with toughened safety glass (TSG). Also prepared for use with laminated safety glass (LSG) – separate gaskets required.	8–15 mm 15–19 mm 19–22 mm	<b>42.406</b> <b>42.408</b> <b>42.409</b>		
	<b>Please note:</b> The load-bearing capability of the overpanel (fan light) is only ensured when using suitable wall connection profiles.				
		<b>PT 40 Comfort patch for overpanel and sidelight</b> with blanking insert. For use with toughened safety glass (TSG).	8–15 mm	<b>38.406</b>	
<b>Please note:</b> The load-bearing capability of the overpanel (fan light) is only ensured when using suitable wall connection profiles.					
	<b>PT 41 Premium patch for overpanel and sidelight</b> with pivot pin Ø 14 mm and fin fitting*. For use with toughened safety glass (TSG). Also prepared for use with laminated safety glass (LSG) – separate gaskets required.	<b>with pivot pin</b>	left	8–12 mm 12–15 mm 15–19 mm 19–22 mm	<b>42.410</b> <b>42.411</b> <b>42.412</b> <b>42.472</b>
	<b>with pivot pin</b>	right	8–12 mm 12–15 mm 15–19 mm 19–22 mm	<b>42.420</b> <b>42.421</b> <b>42.422</b> <b>42.474</b>	
	<b>with stop insert</b>	left	8–15 mm 15–19 mm 19–22 mm	<b>42.413</b> <b>42.415</b> <b>42.473</b>	
	<b>with stop insert</b>	right	8–15 mm 15–19 mm 19–22 mm	<b>42.423</b> <b>42.425</b> <b>42.475</b>	
	<b>with blanking insert</b>	left	8–15 mm 15–19 mm 19–22 mm	<b>42.416</b> <b>42.418</b> <b>42.419</b>	
	<b>with blanking insert</b>	right	8–15 mm 15–19 mm 19–22 mm	<b>42.426</b> <b>42.428</b> <b>42.429</b>	

**Please note:**  
 The load-bearing capability of the overpanel (fan light) is only ensured when using suitable wall connection profiles.

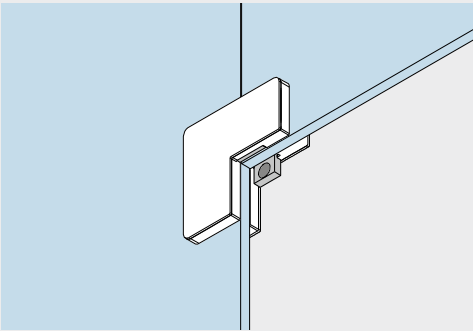
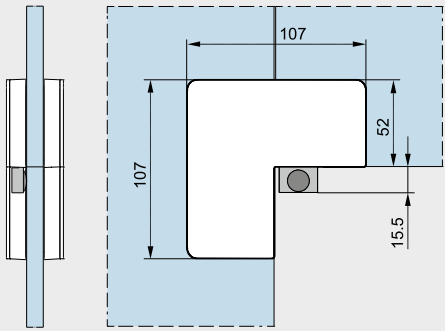
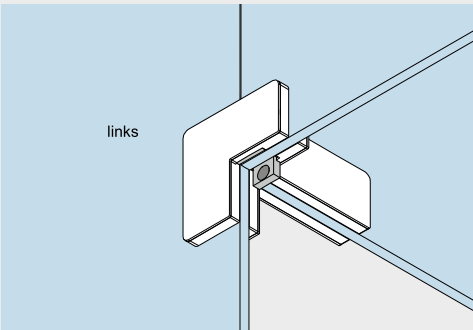
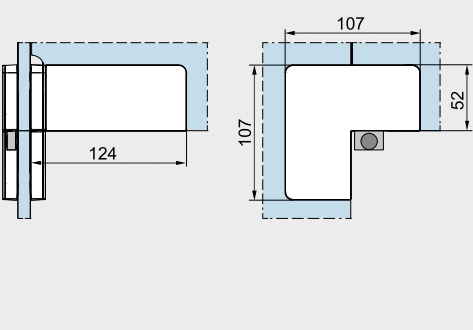
\* Left hand fin (illustration shows left hand) / right hand fin. Left or right hand are determined by view from outside.

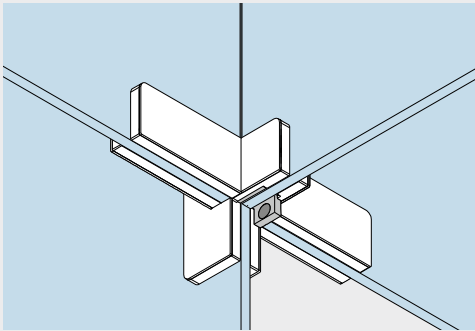
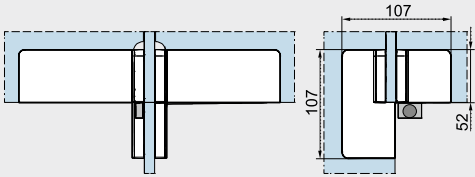
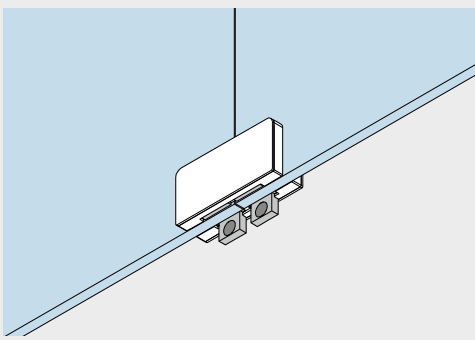
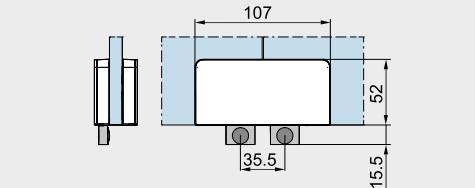


Product description	Glass thickness	Art. No.			
	<b>PT 41 Comfort patch for overpanel and sidelight</b> with pivot pin	with pivot pin	left right	8–12 mm 8–12 mm	<b>38.410</b> <b>38.420</b>
	with pivot pin Ø 14 mm and fin fitting*. For use with toughened safety glass (TSG).	with stop insert	left right	8–15 mm 8–15 mm	<b>38.413</b> <b>38.423</b>
		with blanking insert	left right	8–15 mm 8–15 mm	<b>38.416</b> <b>38.426</b>
	<b>Please note:</b>	The load-bearing capability of the overpanel (fan light) is only ensured when using suitable wall connection profiles.			
	* Left hand fin (illustration shows left hand) / right hand fin. Left or right hand are determined by view from outside.				
		<b>PT 41 Premium patch for overpanel and sidelight</b> with pivot pin	with pivot pin	8–12 mm 12–15 mm 15–19 mm 19–22 mm	<b>42.430</b> <b>42.431</b> <b>42.432</b> <b>42.476</b>
with pivot pin Ø 14 mm and fin fitting. For use with toughened safety glass (TSG). Also prepared for use with laminated safety glass (LSG) – separate gaskets required.		with stop insert	8–15 mm 15–19 mm 19–22 mm	<b>42.433</b> <b>42.435</b> <b>42.477</b>	
		with blanking insert	8–15 mm 15–19 mm 19–22 mm	<b>42.436</b> <b>42.438</b> <b>42.439</b>	
<b>Please note:</b>		The load-bearing capability of the overpanel (fan light) is only ensured when using suitable wall connection profiles.			
		<b>PT 41 Comfort patch for overpanel and sidelight</b> with pivot pin	with pivot pin	8–15 mm	<b>38.430</b>
		with pivot pin Ø 14 mm and fin fitting. For use with toughened safety glass (TSG).	with stop insert	8–15 mm	<b>38.433</b>
		with blanking insert	8–15 mm	<b>38.436</b>	
	<b>Please note:</b>	The load-bearing capability of the overpanel (fan light) is only ensured when using suitable wall connection profiles.			
	The load-bearing capability of the overpanel (fan light) is only ensured when using suitable wall connection profiles.				
	<b>Please note:</b>	The load-bearing capability of the overpanel (fan light) is only ensured when using suitable wall connection profiles.			

# Connector patches

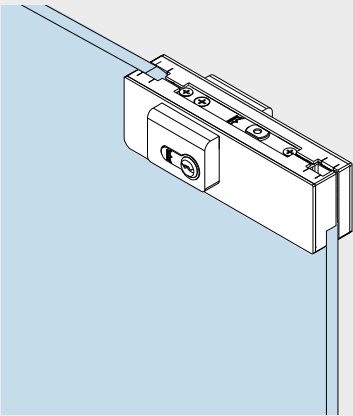
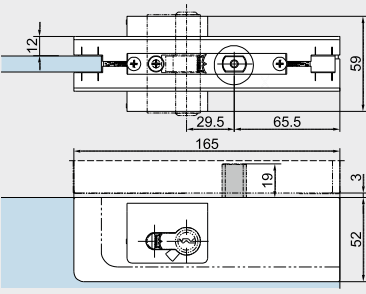
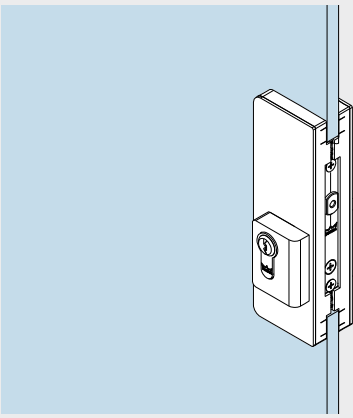
Shown with 10 mm glass. When used with other glass thicknesses, the measurements change accordingly.

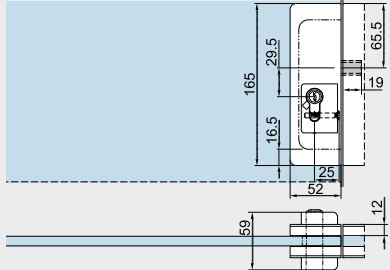
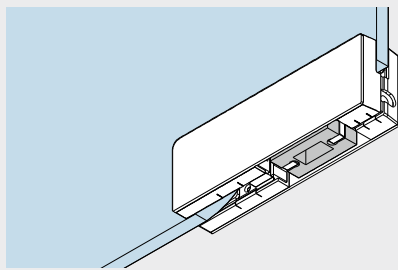
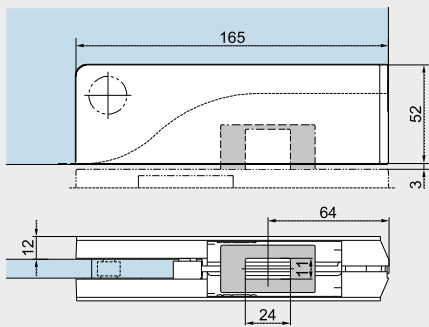
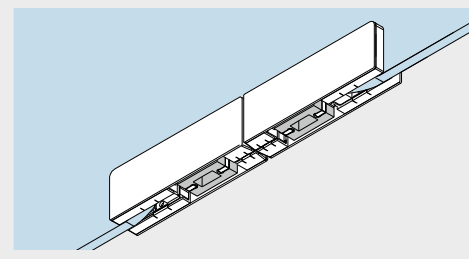
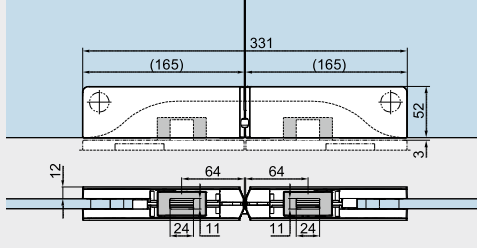
	Product description	Glass thickness	Art. No.
	<b>PT 60 Premium connector</b> for double and single-action doors with 1 stop insert and 2 blanking inserts. For use with toughened safety glass (TSG). Also prepared for use with laminated safety glass (LSG) – separate gaskets required.	8–15 mm 15–19 mm 19–22 mm	<b>42.600</b> <b>42.602</b> <b>42.603</b>
	<b>Please note:</b> The load-bearing capability of the overpanel (fan light) is only ensured when using suitable wall connection profiles.		
	<b>PT 60 Comfort connector</b> for double and single-action doors with 1 stop insert and 2 blanking inserts. For use with toughened safety glass (TSG).	8–15 mm	<b>38.600</b>
	<b>Please note:</b> The load-bearing capability of the overpanel (fan light) is only ensured when using suitable wall connection profiles.		
	<b>PT 61 Premium connector</b> for double and single-action doors with fin fitting*, with 1 stop insert and 2 blanking inserts. For use with toughened safety glass (TSG). Also prepared for use with laminated safety glass (LSG) – separate gaskets required.	left 8–15 mm	<b>42.610</b>
		right 8–15 mm	<b>42.613</b>
		left 15–19 mm	<b>42.612</b>
		right 15–19 mm	<b>42.615</b>
		left 19–22 mm	<b>42.604</b>
		right 19–22 mm	<b>42.605</b>
	<b>PT 61 Comfort connector</b> for double and single-action doors with fin fitting*, with 1 stop insert and 2 blanking inserts. For use with toughened safety glass (TSG).	left 8–15 mm	<b>38.610</b>
	right 8–15 mm	<b>38.613</b>	
	<b>Please note:</b> The load-bearing capability of the overpanel (fan light) is only ensured when using suitable wall connection profiles.		
	* Left hand fin (illustration shows left hand) / right hand fin. Left or right hand are determined by view from outside.		

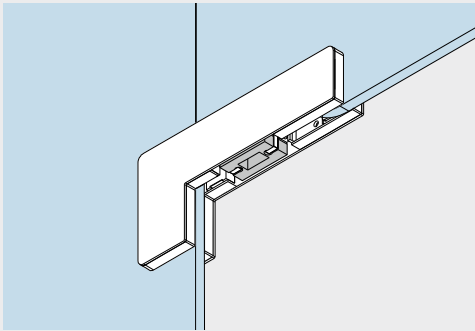
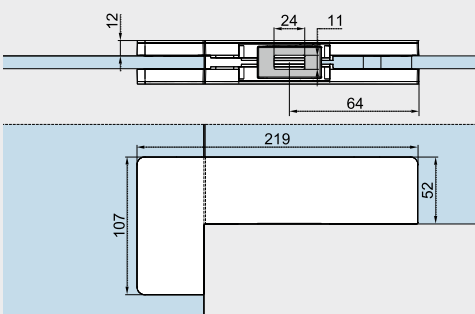
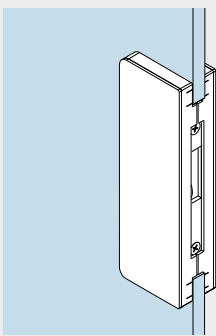
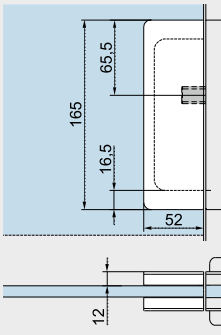
	Product description	Glass thickness	Art. No.
	<p><b>PT 61 Premium connector</b> for double and single-action doors with fin fitting on both sides with 1 stop insert and 2 blanking inserts. For use with toughened safety glass (TSG). Also prepared for use with laminated safety glass (LSG) – separate gaskets required.</p> <p><b>Please note:</b> The load-bearing capability of the overpanel (fan light) is only ensured when using suitable wall connection profiles.</p>	<p>8–15 mm 15–19 mm 19–22 mm</p>	<p><b>42.616</b> <b>42.618</b> <b>42.619</b></p>
	<p><b>PT 61 Comfort connector</b> for double and single-action doors with fin fitting on both sides with 1 stop insert and 2 blanking inserts. For use with toughened safety glass (TSG).</p> <p><b>Please note:</b> The load-bearing capability of the overpanel (fan light) is only ensured when using suitable wall connection profiles.</p>	<p>8–15 mm</p>	<p><b>38.616</b></p>
	<p><b>PT 70 Premium overpanel connector</b> with 2 stop inserts and 2 blanking inserts. For use with toughened safety glass (TSG). Also prepared for use with laminated safety glass (LSG) – separate gaskets required.</p>	<p>8–15 mm 15–19 mm 19–22 mm</p>	<p><b>42.700</b> <b>42.702</b> <b>42.703</b></p>
	<p><b>PT 70 Comfort overpanel connector</b> with 2 stop inserts and 2 blanking inserts. For use with toughened safety glass (TSG).</p>	<p>8–15 mm</p>	<p><b>38.700</b></p>

# Locks and strike boxes

Shown with 10 mm glass. When used with other glass thicknesses, the measurements change accordingly.

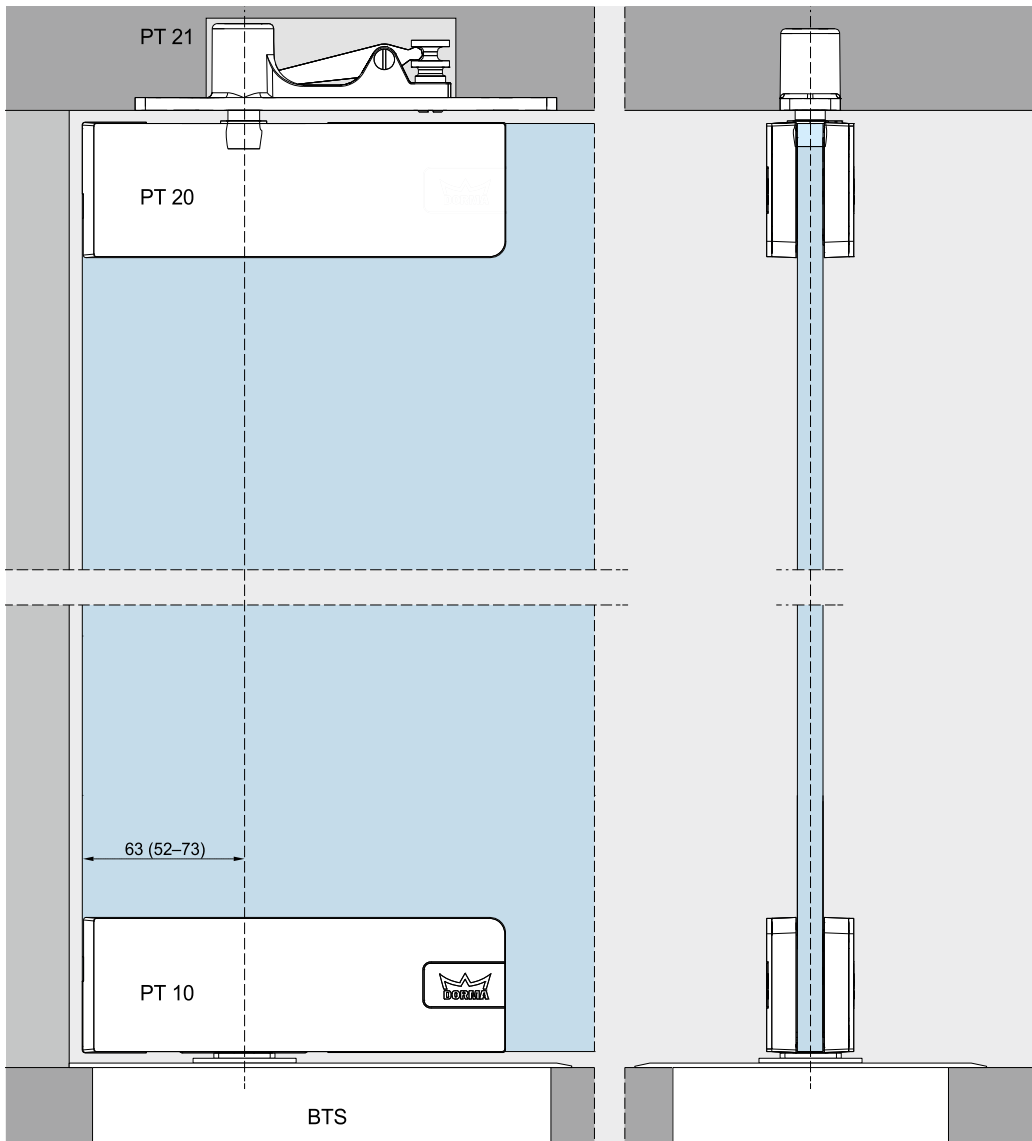
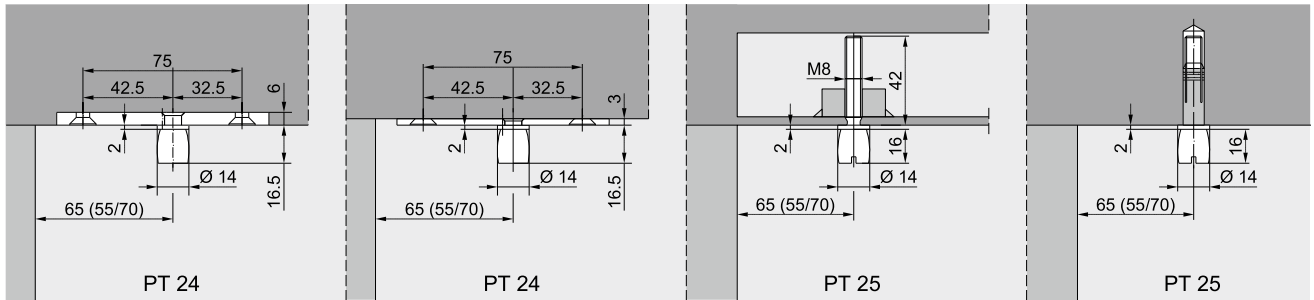
	Product description	Glass thickness	Art. No.
	<p><b>US 10 Premium corner lock</b>                      prepared for Euro profile cylinder, single throw, bolt projection 20 mm, with security rosettes on both sides 14 mm thick, for use with toughened safety glass (TSG). Also prepared for use with laminated safety glass (LSG) – separate gaskets required.  <b>With the order please indicate the exact glass thickness!</b>  <b>Lock insert:</b></p> <ul style="list-style-type: none"> <li>• maximum corrosion resistance according to EN 1670, class 4</li> <li>• with regard to type test according to DIN 18251 / (EN 12209) class 3*</li> </ul>	8–19 mm 19–22 mm	<b>42.510</b> <b>42.517</b>
	<p><b>US 10 Comfort corner lock</b>                      for use with toughened safety glass (TSG)                      KABA, for use with toughened safety glass (TSG)</p> <p><b>With the order please indicate the exact glass thickness!</b></p>	8–19 mm	<b>38.513</b>
	<p><b>US 20 Premium center lock</b>                      prepared for Euro profile cylinder, single throw, bolt projection 20 mm, with security rosettes 14 mm thick, for use with toughened safety glass (TSG). Also prepared for use with laminated safety glass (LSG) – separate gaskets required.  <b>With the order please indicate the exact glass thickness!</b>  <b>Lock insert:</b></p> <ul style="list-style-type: none"> <li>• maximum corrosion resistance according to EN 1670, class 4</li> <li>• with regard to type test according to DIN 18251 / (EN 12209) class 3*</li> </ul>	8–19 mm 19–22 mm	<b>42.520</b> <b>42.518</b>
	<p>prepared for KABA (Swiss profile round cylinder 22 mm) for use with toughened safety glass (TSG). Also prepared for use with laminated safety glass (LSG) – separate gaskets required.  <b>With the order please indicate the exact glass thickness!</b></p>	8–19 mm 19–22 mm	<b>42.523</b> <b>42.519</b>

	Product description	Glass thickness	Art. No.
	<p><b>US 20 Comfort center lock</b> for use with toughened safety glass (TSG)</p> <p>KABA, for use with toughened safety glass (TSG) <b>With the order please indicate the exact glass thickness!</b></p> <p>* Extract from DIN 18251, class 3: Type-test with 50,000 locking bolt operating cycles. Furthermore the lock was tested successfully by a neutral testing institute with 100,000 locking bolt operating cycles.</p>	8–19 mm	<b>38.520</b>
	<p><b>GK 30 Premium single overpanel strike box</b> with tapped hole at side. Suitable for corner lock US 10. For use with toughened safety glass (TSG). Also prepared for use with laminated safety glass (LSG) – separate gaskets required.</p> <p>To install correctly, you will need to use either a screw-on fixing bracket, a wall anchor or a threaded rod fixing, see page 31.</p>	8–15 mm 15–19 mm 19–22 mm	<b>42.530</b> <b>42.532</b> <b>42.548</b>
	<p><b>GK 30 Comfort single overpanel strike box</b> with tapped hole at side. Suitable for corner lock US 10. For use with toughened safety glass (TSG).</p> <p>To install correctly, you will need to use either a screw-on fixing bracket, a wall anchor or a threaded rod fixing, see page 31.</p>	8–12 mm	<b>38.530</b>
	<p><b>GK 20 Premium double overpanel strike box</b> Suitable for corner lock US 10 consisting of two GK 30 with threaded connecting bolt. For use with toughened safety glass (TSG). Also prepared for use with laminated safety glass (LSG) – separate gaskets required.</p>	8–15 mm 15–19 mm 19–22 mm	<b>42.526</b> <b>42.528</b> <b>42.529</b>
	<p><b>GK 20 Comfort double overpanel strike box</b> Suitable for corner lock US 10 consisting of two GK 30 with threaded connecting bolt. For use with toughened safety glass (TSG).</p>	8–12 mm	<b>38.526</b>

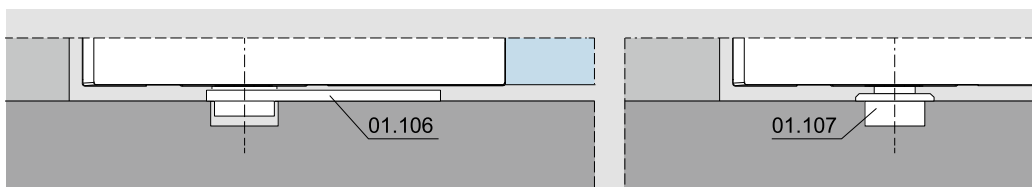
	Product description	Glass thickness	Art. No.
	<p><b>GK 40 Premium corner overpanel strike box</b>                      Suitable for corner lock US 10.                      For use with toughened safety glass (TSG).                      Also prepared for use with laminated safety glass (LSG) – separate gaskets required.</p> <p><b>Please note:</b>                      The load-bearing capability of the overpanel (fan light) is only ensured when using suitable wall connection profiles.</p>	<p>8–15 mm                      15–19 mm                      19–22 mm</p>	<p><b>42.540</b>  <b>42.542</b>  <b>42.547</b></p>
	<p><b>GK 40 Premium corner overpanel strike box</b>                      Suitable for corner lock US 10.                      For use with toughened safety glass (TSG).</p> <p><b>Please note:</b>                      The load-bearing capability of the overpanel (fan light) is only ensured when using suitable wall connection profiles.</p>	<p>8–12 mm</p>	<p><b>38.540</b></p>
	<p><b>GK 50 Premium strike box</b>                      Suitable for center lock US 20.                      For use with toughened safety glass (TSG).                      Also prepared for use with laminated safety glass (LSG) – separate gaskets required.</p> <p><b>With the order please indicate the exact glass thickness!</b></p>	<p>8–19 mm                      19–22 mm</p>	<p><b>42.550</b>  <b>42.553</b></p>
	<p><b>GK 50 Comfort strike box</b>                      Suitable for center lock US 20.                      For use with toughened safety glass (TSG).</p> <p><b>With the order please indicate the exact glass thickness!</b></p>	<p>8–19 mm</p>	<p><b>38.550</b></p>

# Installation details (in contrast to UNIVERSAL)

**Advisory:** Please note that the upper pivots for MUNDUS and those for UNIVERSAL are not mutually compatible. The spigot diameters of the MUNDUS fittings vary.



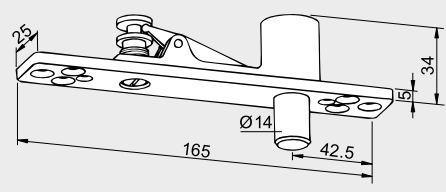
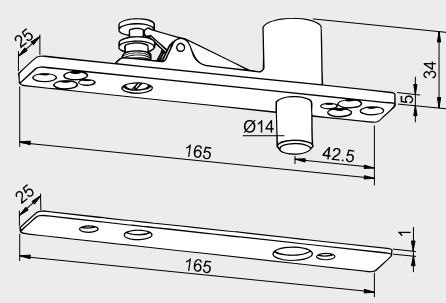
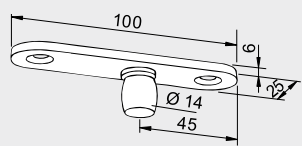
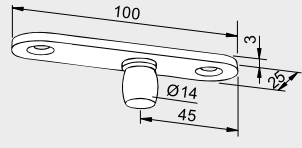
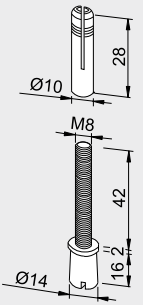
Fixing of top pivots and top centers for PT 20.



Fixing of floor springs, pivot bearings for PT 10.

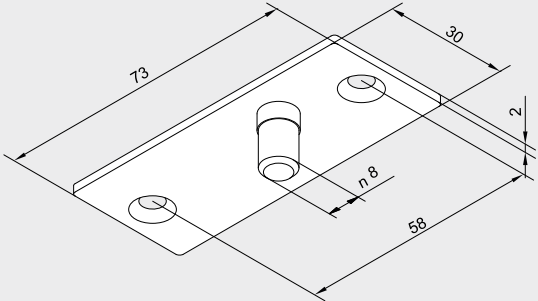
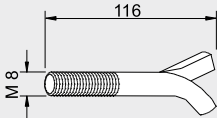
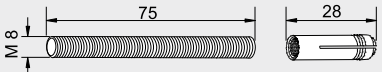
# Top bearing, pivots for MUNDUS

**Advisory:** Please note that the upper pivots for MUNDUS and those for UNIVERSAL are not mutually compatible. The spigot diameters of the MUNDUS fittings vary.

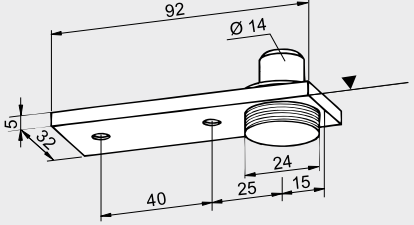
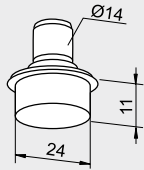
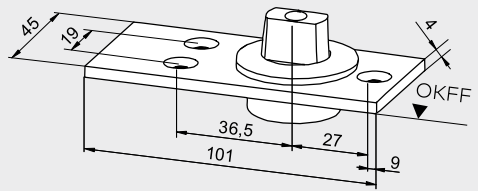
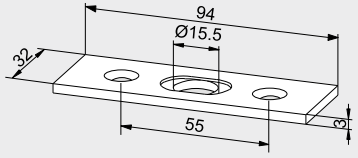
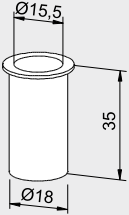
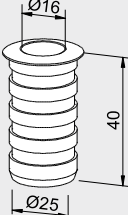
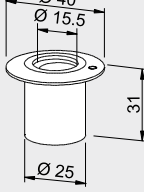
	Product description	Art. No.
	<p><b>MUNDUS PT 21 frame portion top centre</b> with removable pin</p> <p>Weight in kg: 0.335</p> <p>14 mm Ø</p>	<p><b>38.210</b></p>
	<p><b>MUNDUS PT 21 frame portion top centre</b> with removable pin, with cover plate</p> <p>Weight in kg: 0.345</p> <p>14 mm Ø</p>	<p><b>38.211</b></p>
	<p><b>MUNDUS PT 24 pivot</b> with fixing plate, material thickness 6 mm, <b>to let into ceiling</b></p> <p>Weight in kg: Aluminum 0.058</p> <p>14 mm Ø</p>	<p><b>38.240</b></p>
	<p><b>MUNDUS PT 24 pivot</b> with fixing plate, material thickness 3 mm, <b>to screw on the ceiling</b></p> <p>Weight in kg: Aluminum 0.042 Stainless steel 0.074</p> <p>14 mm Ø</p>	<p><b>38.241</b></p>
	<p><b>MUNDUS PT 25 pivot</b> with plug</p> <p>Weight in kg: 0.044</p> <p>14 mm Ø</p>	<p><b>38.250</b></p>



# Wall connection for MUNDUS

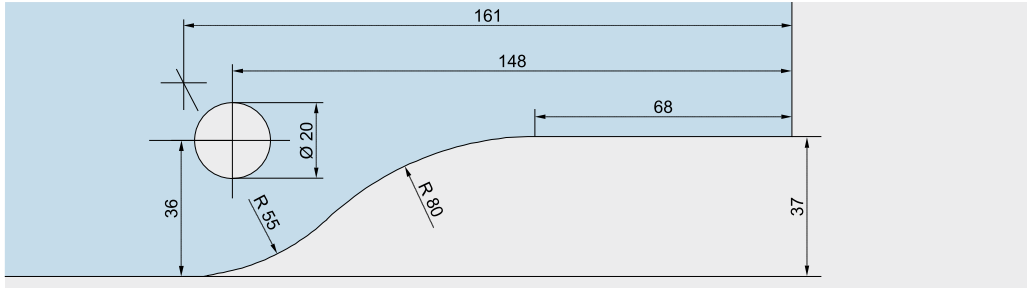
	Product description	Art. No.
	<p><b>Fixing plate</b> for overpanel patch fitting PT 30 and overpanel strike box GK 30</p> <p>Weight in kg: 0.041</p> <p>Not available in brass or aluminum.</p>	<p><b>38.313</b></p>
	<p><b>Wall anchor</b> with thread M 8 for overpanel patch</p> <p>Weight in kg: 0.040</p>	<p><b>01.133</b></p>
	<p><b>Threaded rod</b> M 8 with plug for overpanel patch</p> <p>Weight in kg: 0.032</p>	<p><b>01.134</b></p>

# Floor bearing, lock keeper plate, floor socket for MUNDUS

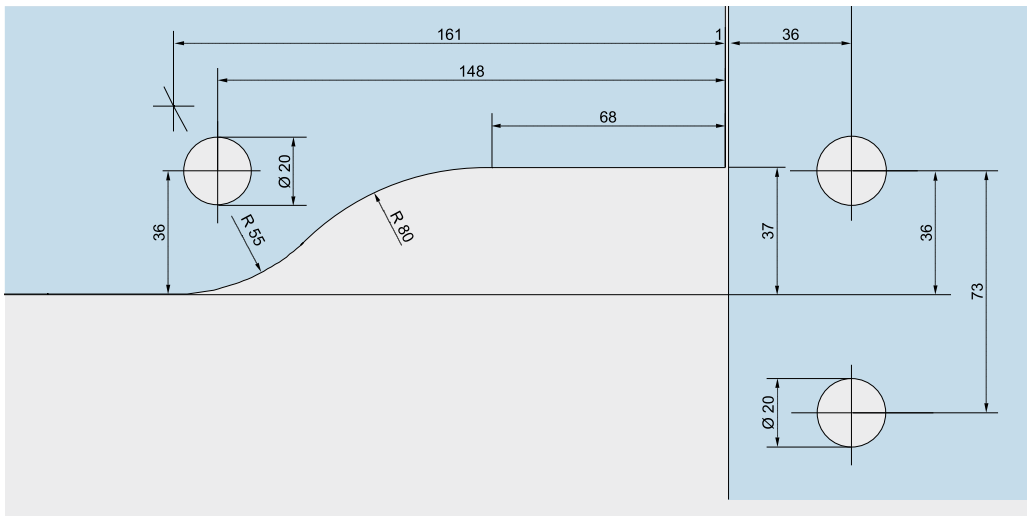
	Product description	Art. No.
	<p><b>Floor pivot bearing</b> with round pivot 14 mm Ø, and cover plate; height adjustable by 5 mm max. door weight 100 kg</p> <p>Weight in kg: Aluminum 0.155 Brass 0.170 Stainless steel 0.169</p>	01.106
	<p><b>Floor pivot bearing</b> with round pivot 14 mm Ø and pin 24 mm Ø max. door weight 100 kg</p> <p>Weight in kg: 0.078</p>	01.107
	<p><b>Floor bearing</b> with DORMA profile spindle (longer spindle on request), max. door weight 200 kg</p> <p>Stainless steel, max. door weight 200 kg</p> <p>Weight in kg: 0.254</p>	04.602 04.603
	<p><b>Lock keeper plate,</b> stainless steel, two parts, adjustable ± 5 mm</p> <p>Weight in kg: 0.048</p>	05.190
	<p><b>Floor socket,</b> zinc coated brass for lock bolt</p> <p>Weight in kg: 0.020</p>	05.192
	<p><b>Floor socket,</b> aluminum, with spring and plastic stopper, dirt protection</p> <p>Weight in kg: 0.026</p>	05.193
	<p><b>Eccentric socket,</b> eccentric, zinc coated brass, with adjustable plastic socket insert</p> <p>Weight in kg: 0.020</p>	05.194
<p>05.192      05.193      05.194</p>		

# Space for your notes

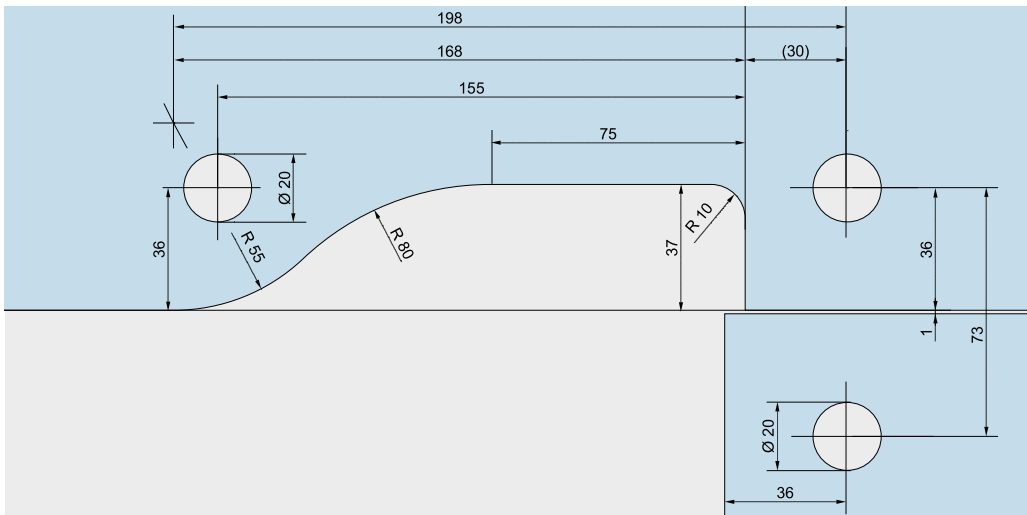
# Glass preparation patch fittings



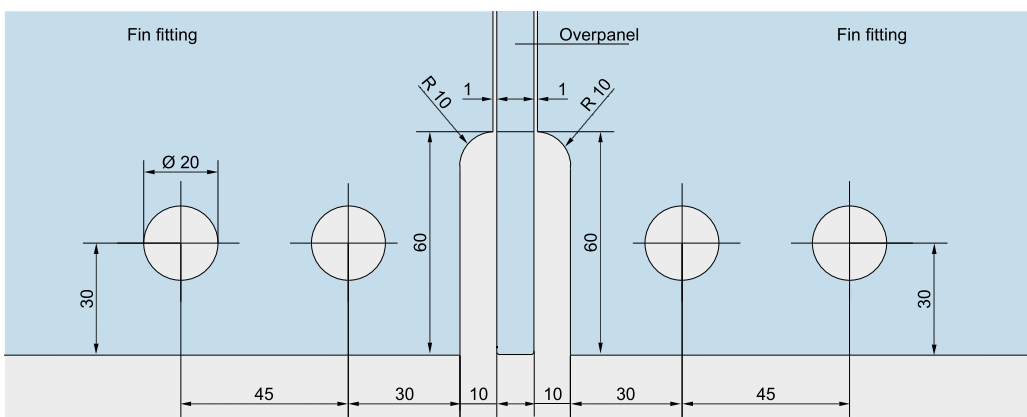
**PT 10, PT 20,  
PT 22, PT 30**  
Top and bottom  
patches,  
overpanel patch



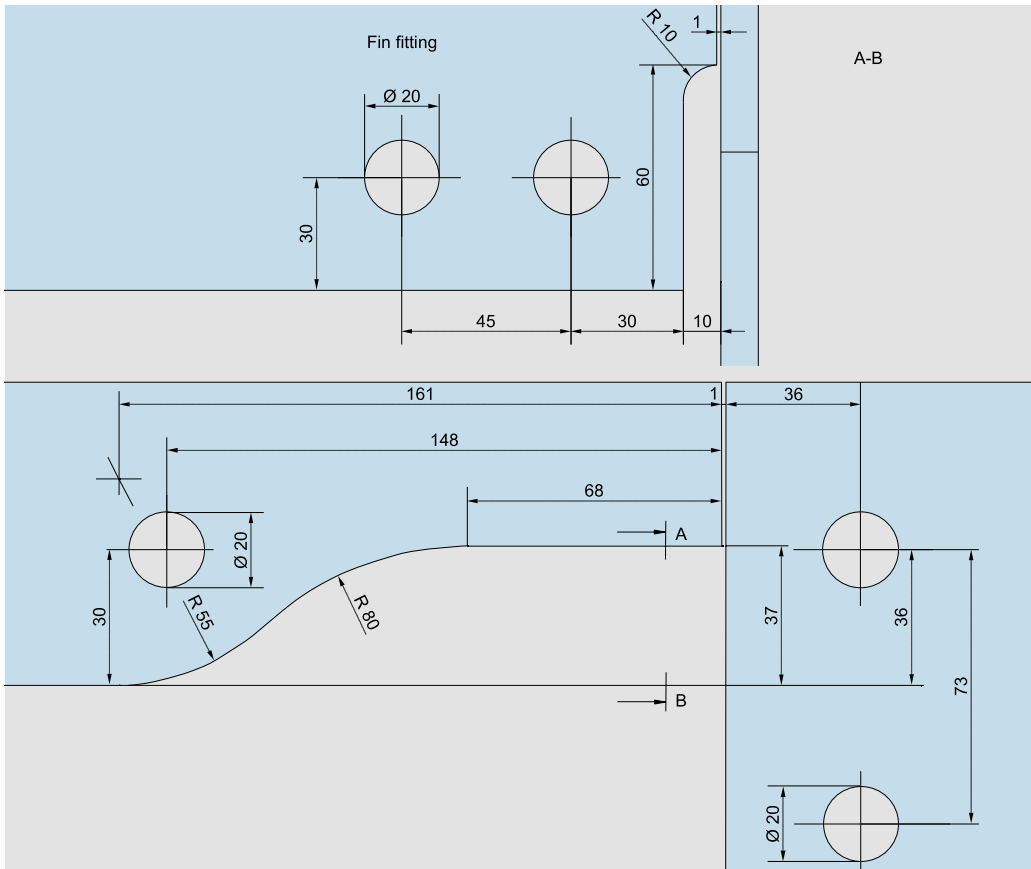
**PT 40**  
Patch for  
overpanel and  
sidelight



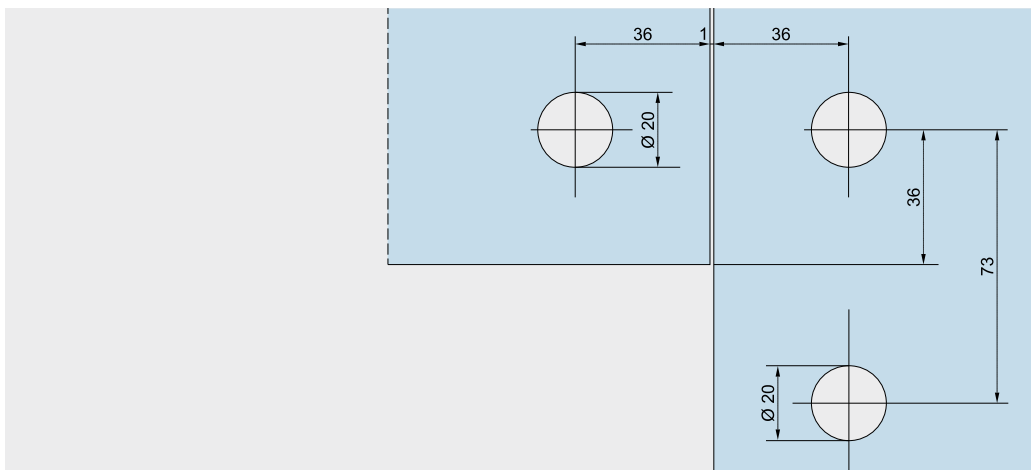
**PT 40**  
Angle patch fitting  
with continuous  
overpanel



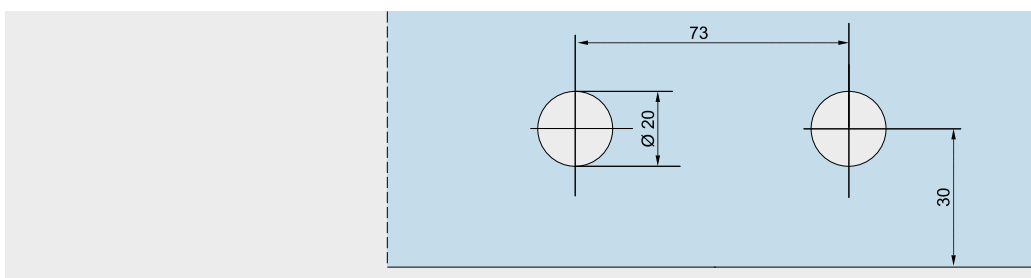
**PT 41**  
Patch for  
overpanel and  
sidelight with  
fin fitting on  
both sides



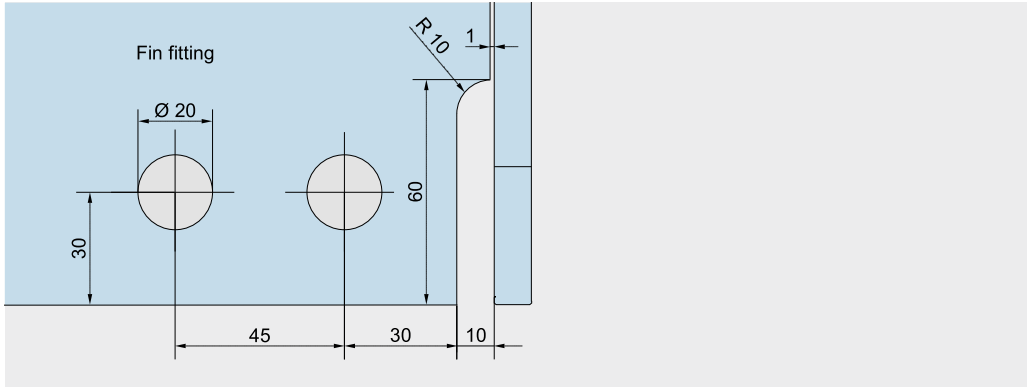
**PT 41**  
Patch for overpanel and sidelight with fin fitting inside



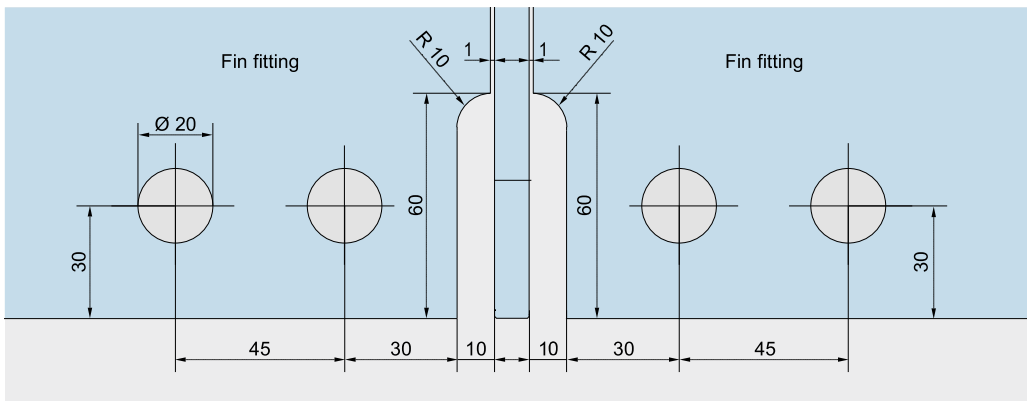
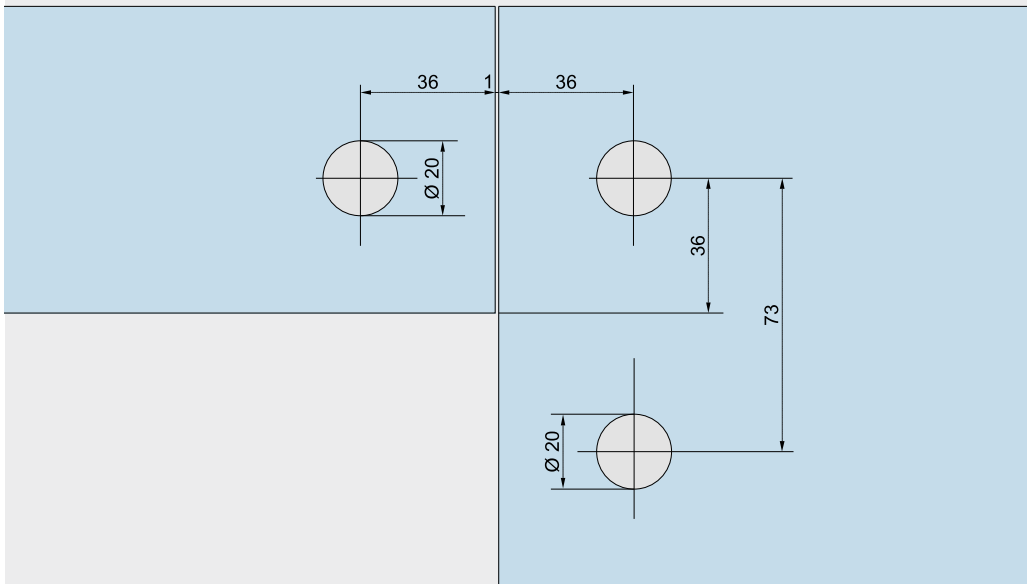
**PT 60**  
Connectors for overpanels and sidelights



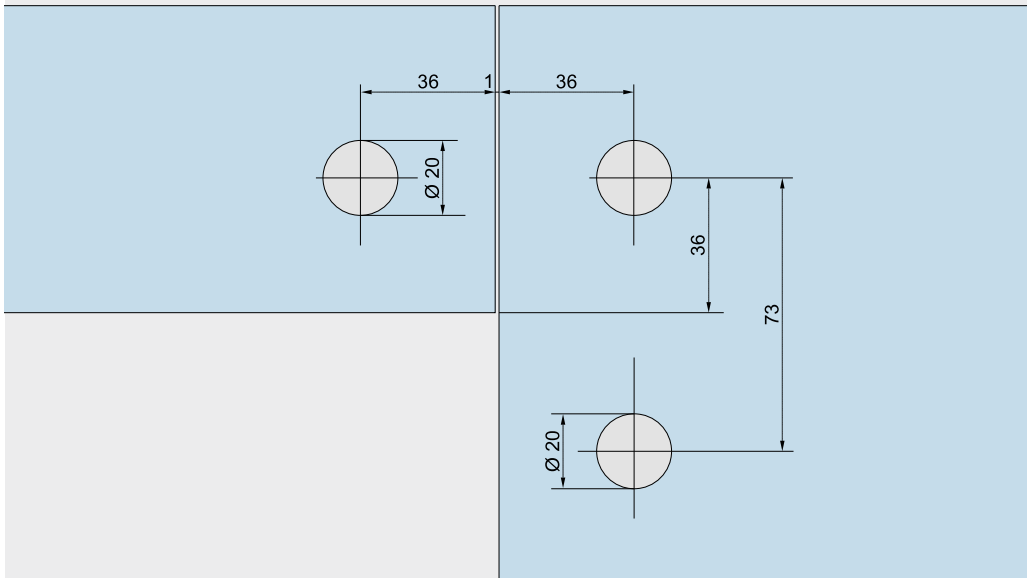
**PT 70**  
Overpanel connector



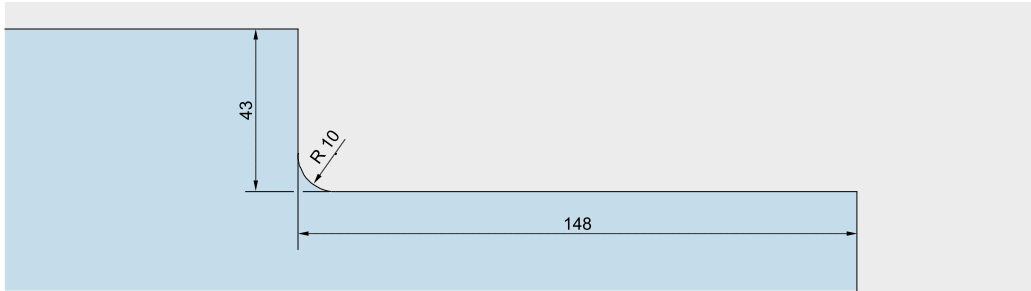
**PT 61**  
Single overpanel  
connector  
with fin fitting  
inside



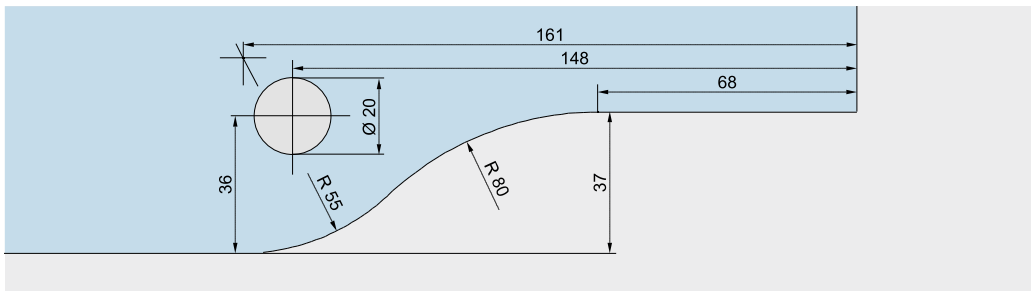
**PT 61**  
Double overpanel  
connectors  
with fin fitting  
on both sides



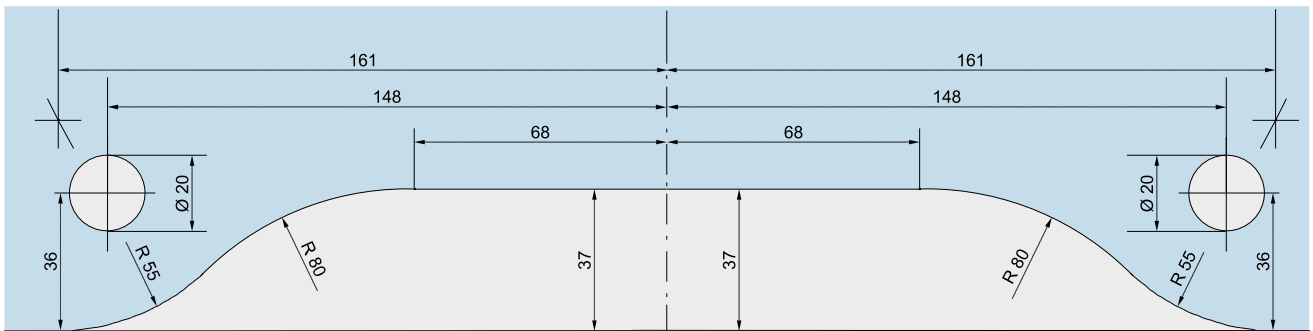
# Glass preparation locks and strike boxes



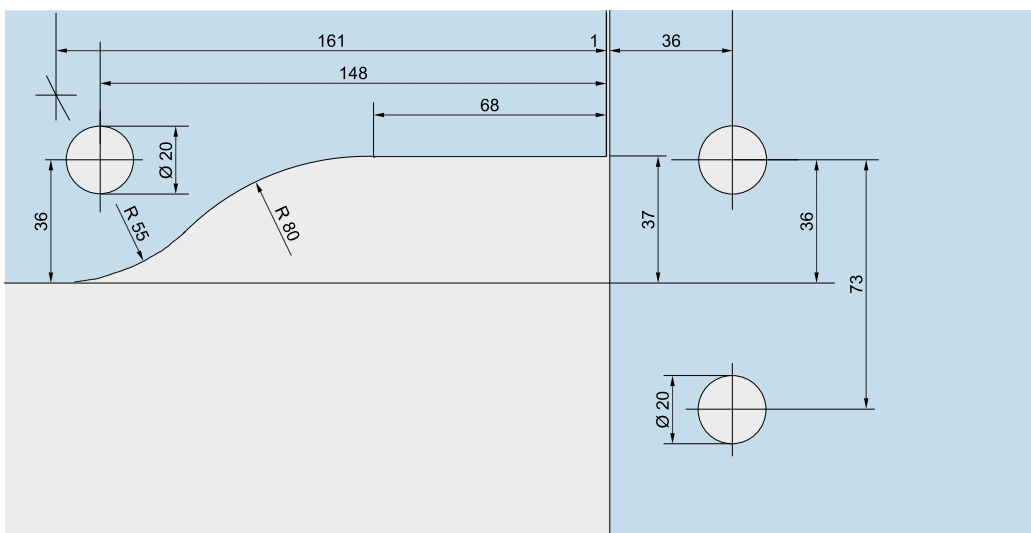
**US 10**  
Corner locks



**GK 30 (PT 30)**  
Single overpanel strike box



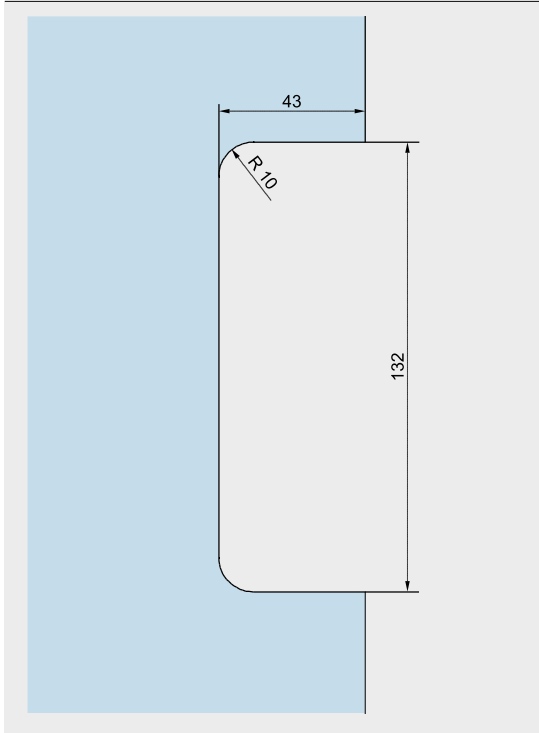
**GK 20**  
Double overpanel strike box



**GK 40 (PT 40)**  
Corner overpanel strike box

---

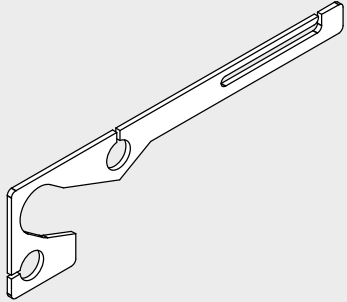
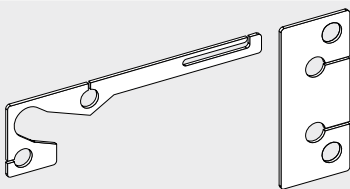
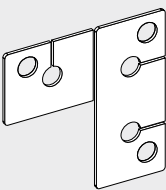
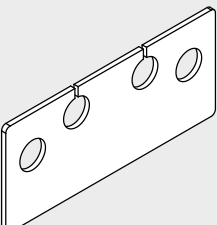
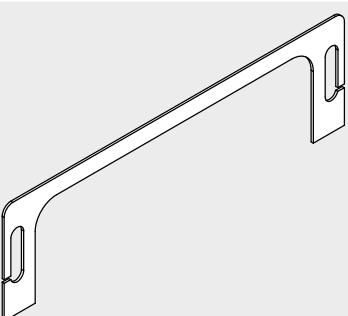
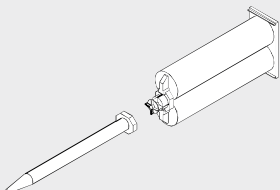
**Product description**



**US 20, GK 50**

Center lock and strike box to suit center lock



	Product description	Art. No.
	<b>MUNDUS Premium LSG gaskets</b> PT 10/20/30/GK 30 LSG glue 07.631 is needed	<b>42.951</b>
	<b>MUNDUS Premium LSG gaskets</b> PT 40 LSG glue 07.631 is needed	<b>42.952</b>
	<b>MUNDUS Premium LSG gaskets</b> PT 60 LSG glue 07.631 is needed	<b>42.953</b>
	<b>MUNDUS Premium LSG gaskets</b> PT 70 LSG glue 07.631 is needed	<b>42.954</b>
	<b>MUNDUS Premium LSG gaskets</b> US 10/20/GK 50 LSG glue 07.631 is needed	<b>42.955</b>
	<b>Glue and nozzle for LSG</b>	<b>07.631</b>