



MANET

MANET sets

The aesthetic elegance of the MANET concept is also available in the form of standardized sets for simple, fast planning of the more popular system types.

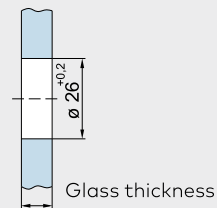
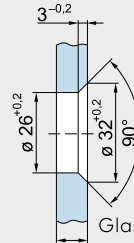
Optional accessories enable the individual sets to be semi-customized. The system components offer numerous adjustment possibilities in order to ensure problem-free installation of whichever door type – swing or single-action or double-action – is required. Wall abutment profiles may need to be provided (by others) for fixing overpanels and sidelights.



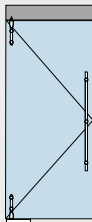
Pivoting fitting short type,
 max. door panel height 2,500 mm
 max. door panel width 1,200 mm
 max. door panel weight 80 kg

Pivoting fitting short type with intermediate tube,
 max. door panel height 2,500 mm
 max. door panel width 1,200 mm
 max. door panel weight 80 kg

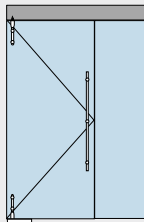
Countersunk bore for countersunk single-point fixings Cylindrical bore for clamping disc single-point fixings



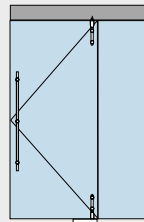
Pivoting doors set 1



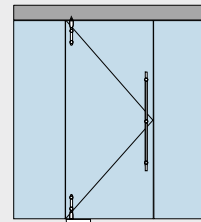
Construction 1 (1 set)



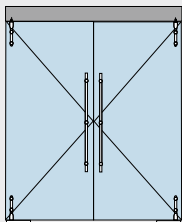
Construction 2 (1 set)



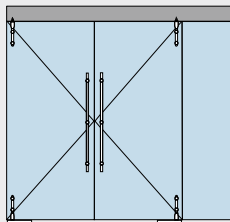
Construction 3 (1 set)



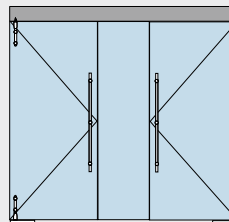
Construction 4 (1 set)



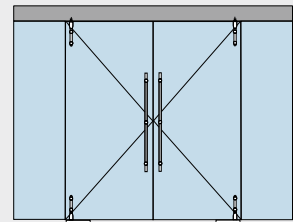
Construction 5 (2 sets)



Construction 6 (2 sets)

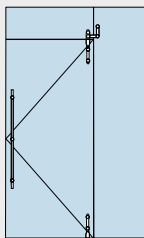


Construction 7 (2 sets)

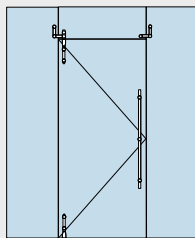


Construction 8 (2 sets)

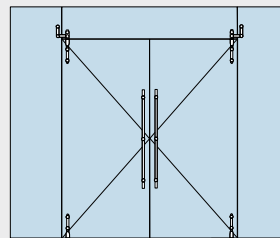
Pivoting doors with overpanel and sidelight set 3



Construction 13 (1 set)



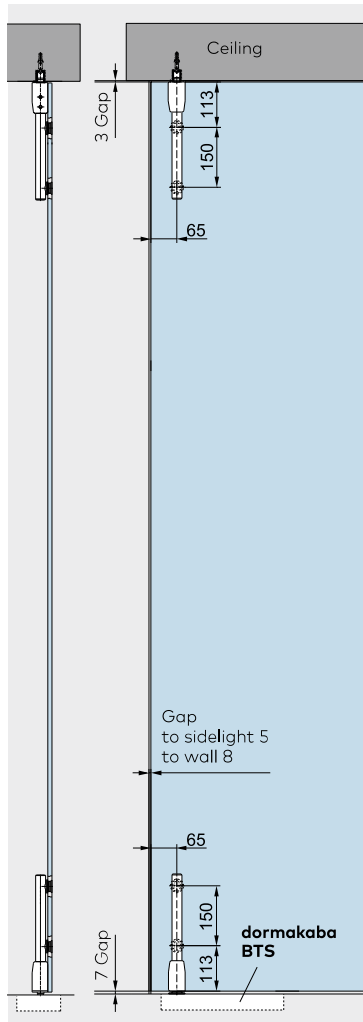
Construction 15 (1 set)



Construction 23 (2 sets)

Set 1

Pivoting door MANET without overpanel for 10 – 13.5 mm glass



Door weight 80 kg
 Door height max. 2,500 mm
 Door width max. 1,200 mm
 TSG 10/13.5 mm glass thickness

	Product description	Art. No.
	Set 1 with pivot rod pair short type	
	Set 1 with single-point fixings countersunk consisting of: pivot rod pair top/bottom, short type	29.910
	including: 4 single-point fixings for pivot rods 1 pivot fitting top, 1 PT 25 pin, 15 mm Ø, with plug 1 pivot fitting bottom for dormakaba BTS/floor pivot	

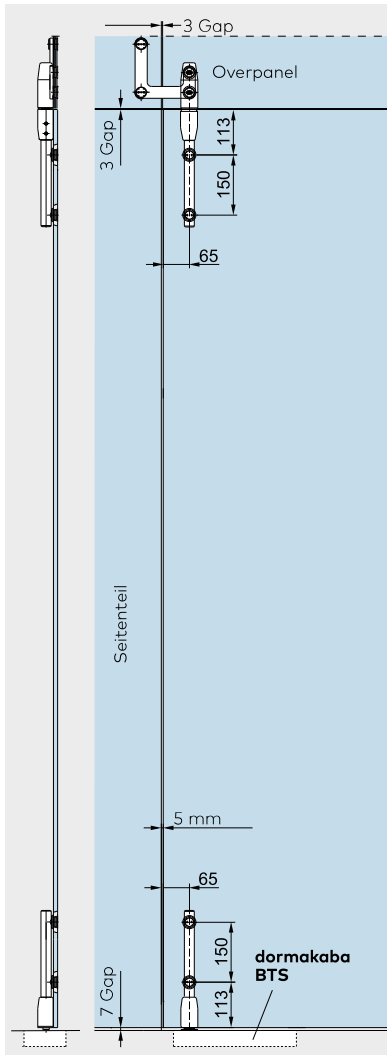
Accessory options for Set 1

Pull handles	Length	Art. No.
Pull handles	350	29.268
(single-point fixing countersunk)	720	29.271
	1,240	29.274
	1,760	29.277
Pair of pull handles	350	21.267
	720	21.270
	1,240	21.273
	1,760	21.276
Lock		
Corner lock		21.448
Corner lock with rose on one lock side		21.449
Profile cylinder for corner lock 21.448/449		14.206
Eccentric bushing for corner lock 21.448/449		05.194
Further accessories		
Stop for pivoting door with ceiling mounting		21.334
Ceiling fixing (bearing function)		29.337
Floor pivot bearing		01.106
Assembling tool for MANET single-point fixings		21.134

For the requisite glass preparation please see pages 172 – 173

Set 3

Pivoting door MANET with overpanel for 10 – 13.5 mm glass



Door weight 80 kg
Door height max. 2,500 mm
Door width max. 1,200 mm
TSG 10/13.5 mm glass thickness

	Product description	Art. No.
	Set 3 with pivot rod pair short type	
	Set 3 with single-point fixings coutertsunk consisting of: pivot rod pair top/bottom, short type	29.914
	einschließlich: 4 single-point fixings for pivot rods, 1 pivot fitting top, 1 overpanel-sidelight connector with pivot bearing location, 1 pivot fitting bottom for dormakaba BTS/floor pivot	

Accessory options for Set 3

	Length	Art. No.
Pull handles		
Pull handles	350	29.268
(single-point fixing coutertsunk)	720	29.271
	1,240	29.274
	1,760	29.277
Pair of pull handles		
	350	21.267
	720	21.270
	1,240	21.273
	1,760	21.276
Ceiling fixing (bearing function)		29.337
Stop at overpanel, (inside/outside) for 10/13.5 mm glass		29.335
Lock		
Corner lock		21.448
Corner lock with rose on one lock side		21.449
Profile cylinder for corner lock 21.448/449		14.206
Eccentric bushing for corner lock 21.448/449		05.194
Further accessories		
Overpanel-sidelight connector for 10/13.5 mm glass		29.320
Floor pivot bearing		01.106
Assembling tool for MANET single-point fixings		21.134

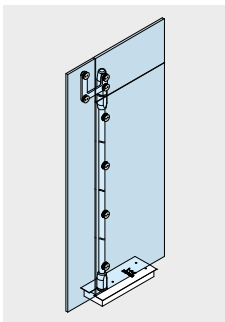
For the requisite glass preparation please see pages 172 – 173

Space for your notes

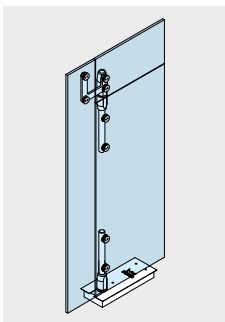
Pivoting door system

MANET pivoting doors can be installed in both glass partitions and masonry openings. They come as both single and double-action swing doors. All the single-point fixings are designed for clip-on covers for easier installation. Other components include the bottom pivot bearing, top pivot fittings with bearing spigot or eccentric bushing and also overpanel/ sidelight connectors.

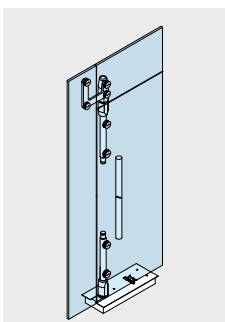
As a result, there are almost unlimited possibilities for inte-grating frameless swing doors both in masonry openings – with or without overpanels and sidelights – and in glass partition constructions retained by single-point fixings. Whether with a full-length pivot rod or a pair of shorter pivot rods, the top bearing socket is located in the fitting on the door leaf. This means that connection to the ceiling, lintel or transom can now be provided in the form of the standard PT25 top pivot spigot from the DORMA-Glas range. The door assemblies can be equipped with floor springs such as the dormakaba BTS 75V or BTS 84, and corner locks are naturally also available.



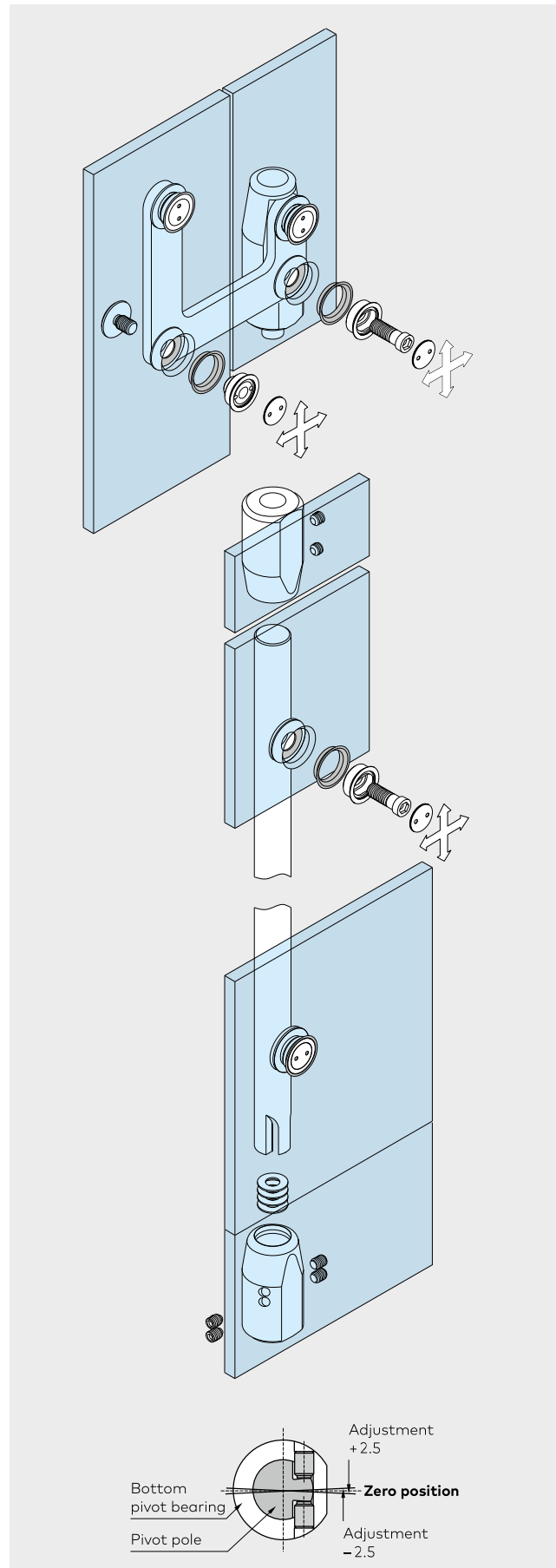
Pivot bearing with full-length pivot rod, max. door panel height 3,000 mm max. door panel width 1,200 mm max. door panel weight 100 kg



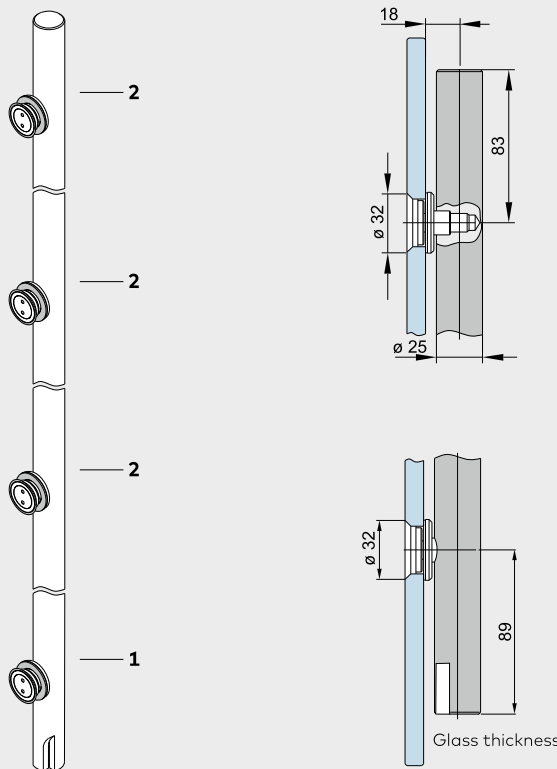
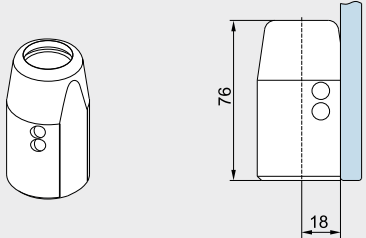
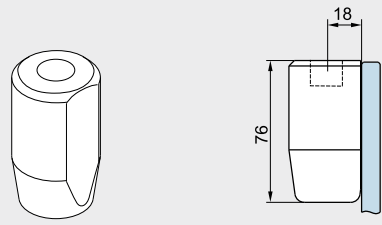
Pivot bearing with pivot rod pair short type, max. door panel height 2,500 mm max. door panel width 1,200 mm max. door panel weight 80 kg




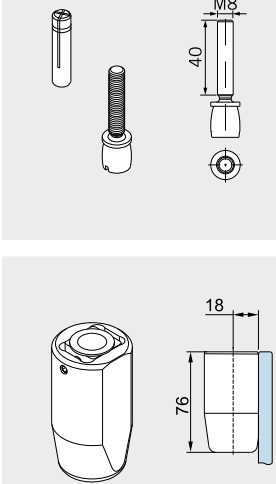
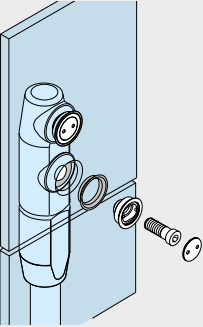
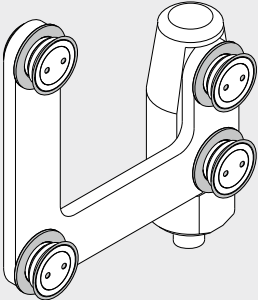
Pivot bearing with pivot rod pair short type with intermediate tube, max. door panel height 2,500 mm max. door panel width 1,200 mm max. door panel weight 80 kg



Components for pivoting door system

	Product description	Glass thickness	Art. No.
	<p>Pivot rod, drilled, fixed length</p> <p>Single-point fixing, countersunk, fixed (1)</p> <p>Single-point fixing, countersunk, centering (2)</p> <p>From a door panel height of 2,700 mm a fifth single-point fixing is recommended.</p>		<p>29.551</p> <p>29.460</p> <p>29.462</p>
	<p>Pivot bearing for dormakaba BTS (max. 4 EN) / floor pivot</p> <p>AISI 316L</p>		<p>29.545</p>
	<p>Pivot bearing for overpanel and ceiling connection</p> <p>AISI 316L</p>		<p>21.310</p>

Components for pivoting door system

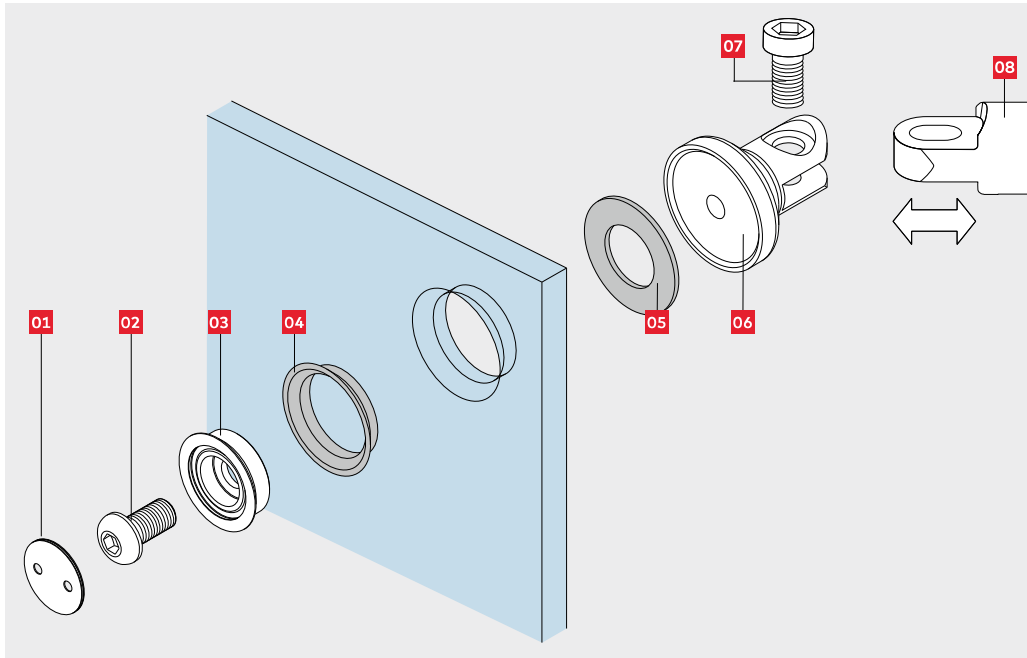
	Product description	Glass thickness	Art. No.
	<p>PT 25 pin for ceiling connection</p>		<p>01.115</p>
	<p>Pivot bearing for installation to ceiling adjustable</p>	<p>8–13.5 mm</p>	<p>21.319</p>
	<p>Pivot bearing location for overpanel countersunk</p>	<p>10–13.5 mm</p>	<p>29.333</p>
	<p>Overpanel / sidelight connector complete fitting countersunk</p>	<p>10, 13.5 mm</p>	<p>29.330</p>

Glass fixing

	Product description	Glass thickness	Art. No.
	<p>Overpanel / sidelight connection countersunk</p>	<p>10, 13.5 mm</p>	<p>29.320</p>
	<p>Stop for pivoting door with ceiling mounting</p>		<p>21.334</p>
	<p>Stop at overpanel (inside/outside)</p>	<p>10-13.5 mm</p>	<p>29.335</p>

Connection elements

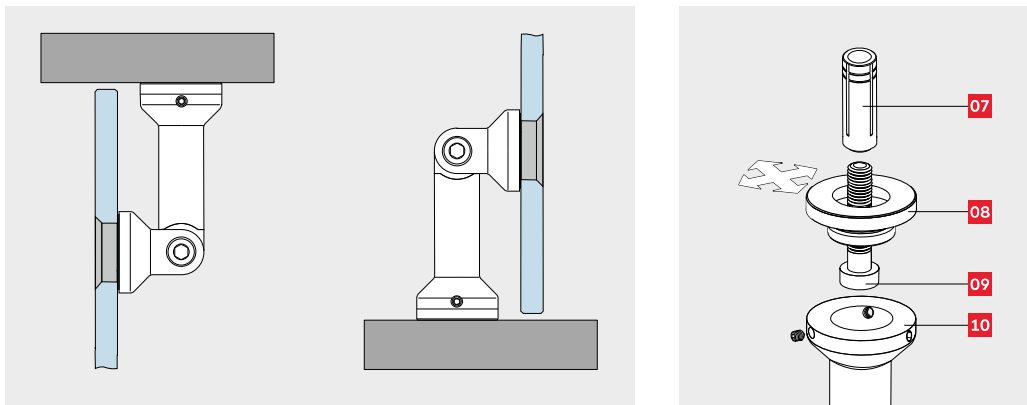
Glass fixing



Components

- 01** Clip-on cover
- 02** Connecting bolt
- 03** Conical collar
- 04** Conical sleeve
- 05** Gasket
- 06** Pivoting clamp
- 07** Connecting bolt
- 08** Connecting rod to suit length

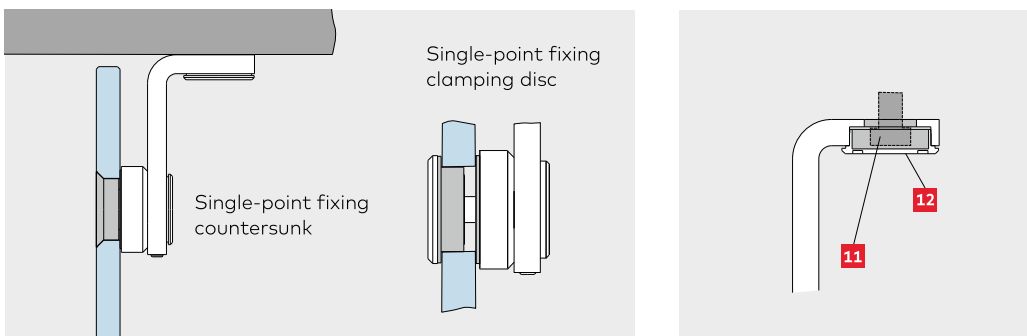
Connection ceiling / floor



Components

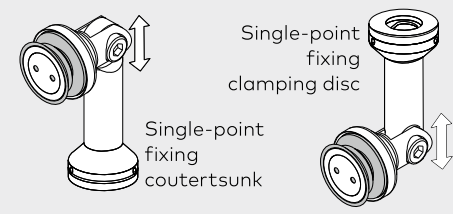
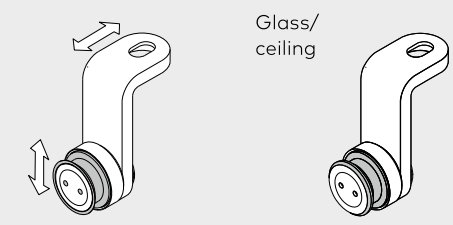
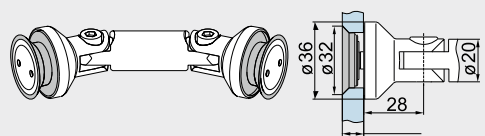
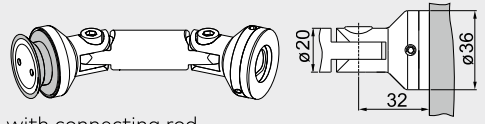
- 07** Wallplug on site
- 08** Mounting plate, 2-dimensional adjustable
- 09** Threaded rod M8
- 10** Column

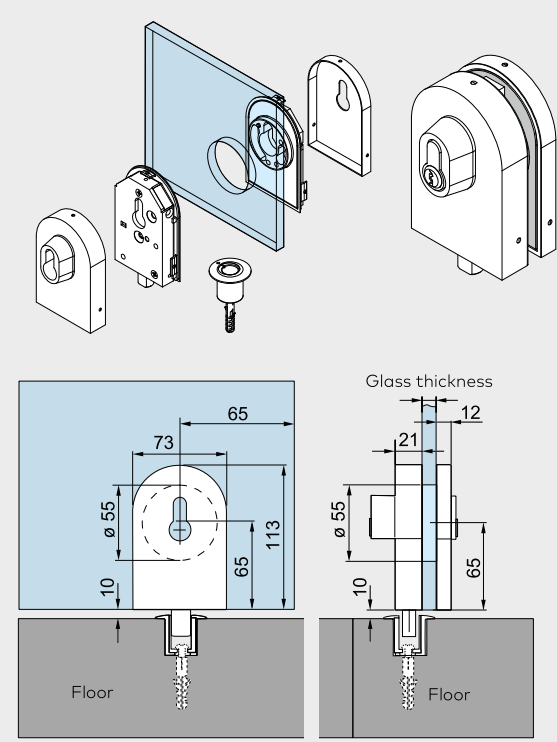
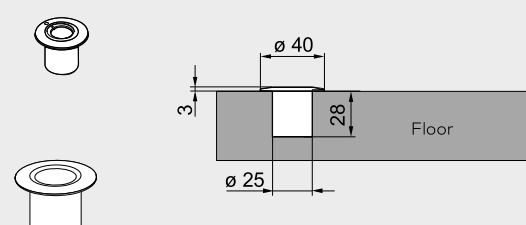
Alternative connection ceiling

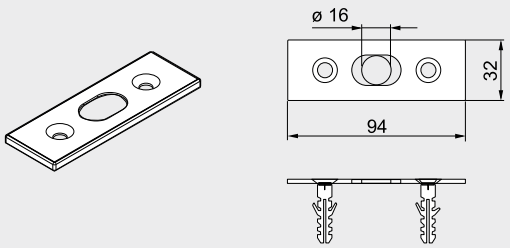
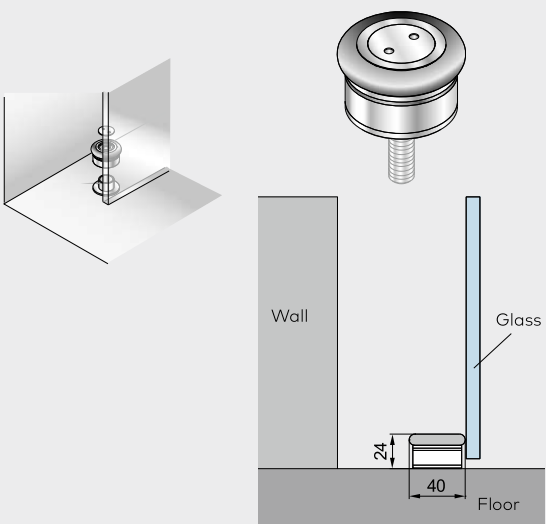


Components

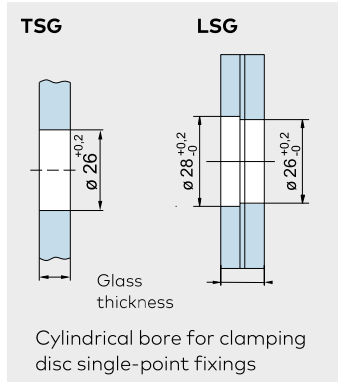
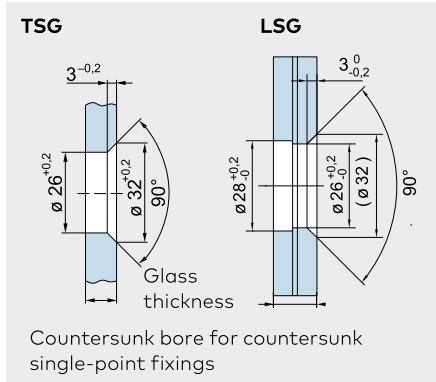
- 11** Threaded rod M8 DIN 7984 M10 x..., or oval-head wood screw DIN 7996 M8 x...
- 12** Clip-on cover

	Product description	Glass thick- ness	Art. No.
 <p data-bbox="159 627 287 660">Glass/Floor</p>	<p data-bbox="694 403 869 459">Complete fitting ceiling connection</p>	<p data-bbox="1197 403 1308 436">8 – 12 mm</p>	<p data-bbox="1372 403 1444 436">29.145</p>
 <p data-bbox="159 963 582 996">Height adjustment by means of grub screw</p>	<p data-bbox="694 694 949 772">Complete fitting Angle connection 90 (supporting function only)</p>	<p data-bbox="1197 694 1308 728">8 – 12 mm</p>	<p data-bbox="1372 694 1444 728">29.145</p>
<p data-bbox="159 1064 399 1097">Glass / Glass 90° – 180°</p>  <p data-bbox="159 1243 327 1299">Connecting rods 60 / 103 mm</p>	<p data-bbox="694 1041 981 1120">Complete fitting glass / glass with connecting rod 60 mm with connecting rod 103 mm</p>	<p data-bbox="1181 1041 1308 1075">8 – 13.5 mm</p>	<p data-bbox="1372 1064 1444 1097">29.337</p> <p data-bbox="1372 1086 1444 1120">29.130</p>
<p data-bbox="159 1366 391 1400">Glass / Wall 90° – 180°</p>  <p data-bbox="159 1512 359 1568">with connecting rod 60 / 103 mm</p>	<p data-bbox="694 1344 973 1422">Complete fitting glass / wall with connecting rod 60 mm with connecting rod 103 mm</p>	<p data-bbox="1181 1344 1308 1377">8 – 13.5 mm</p>	<p data-bbox="1372 1366 1444 1400">29.140</p> <p data-bbox="1372 1388 1444 1422">29.158</p>

	Product description	Glass thickness	Art. No.
	<p>Corner lock with profile cylinder rose on inside</p> <p>Profile cylinder for corner lock</p>	<p>8-12 mm</p>	<p>21.449</p> <p>14.206</p>
	<p>Eccentric bushing for corner lock</p>		<p>05.194</p>

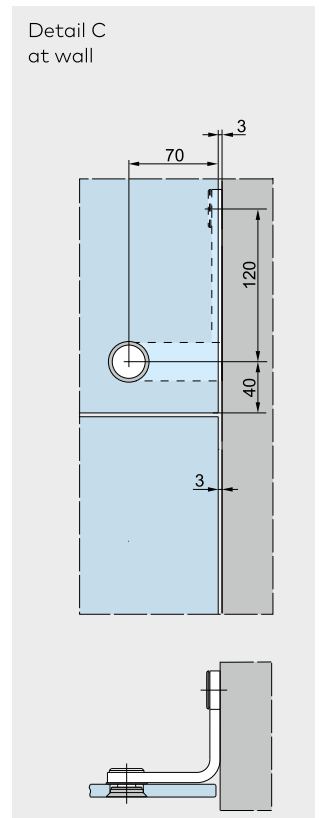
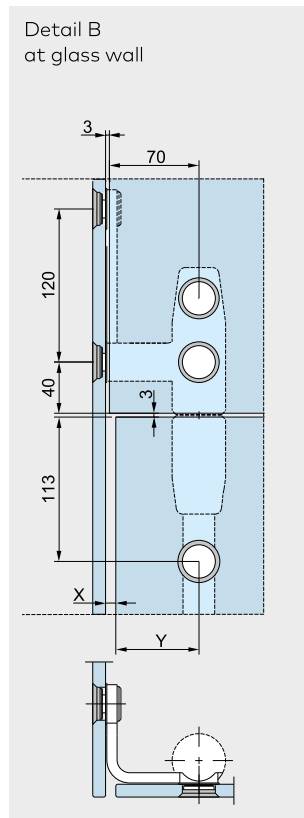
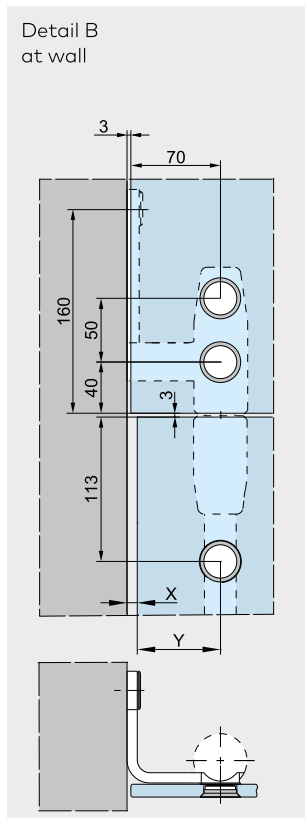
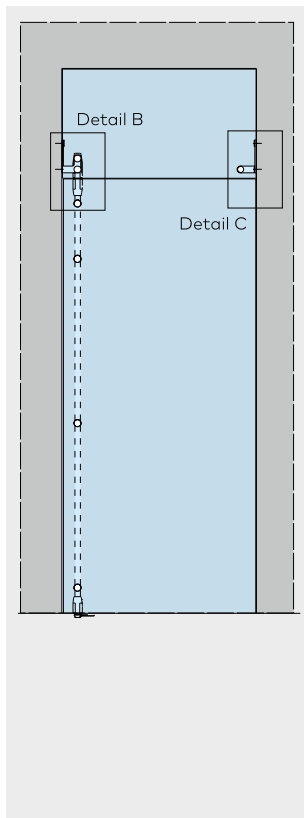
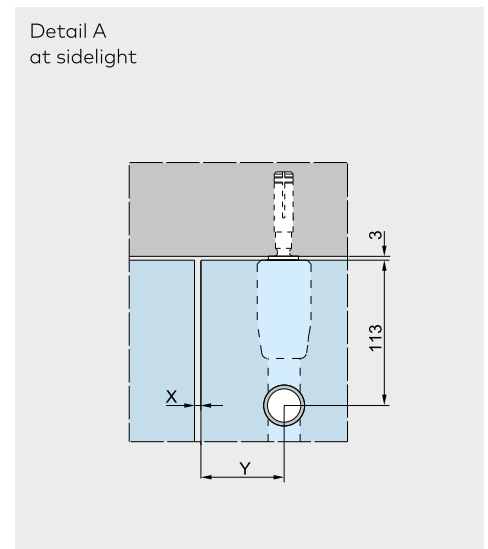
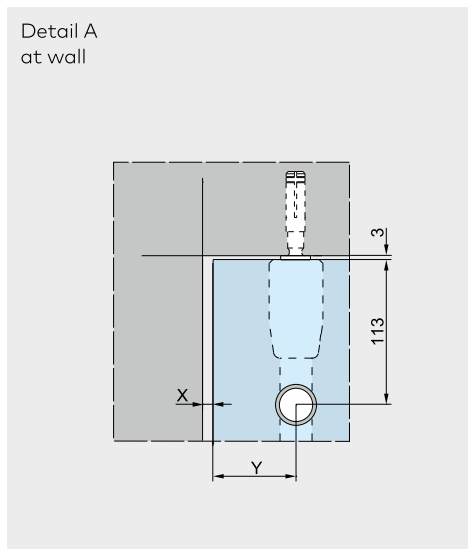
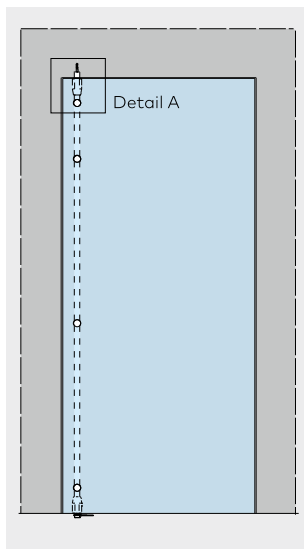
	Product description	Glass thickness	Art. No.
	Strike plate		05.190
	Stop for pivoting door floor mounting		29.950

Glass preparation pivoting door system



The gap and distance dimensions recommended by DORMA-Glas are indicated in the adjacent table.

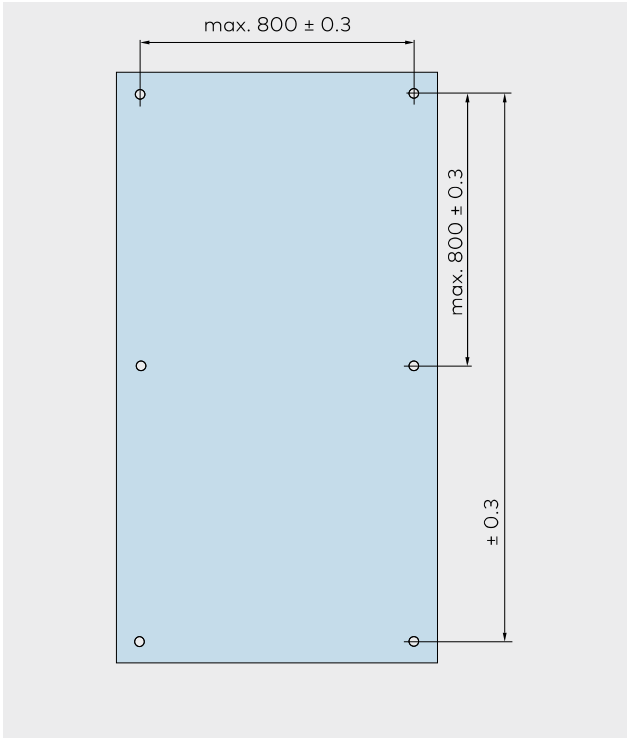
Glass thickness mm	Connection	X Gap	Y
10/12	Sidelight	5	65
	Wall	8	
13.5	Sidelight	8	62
	Wall	11	



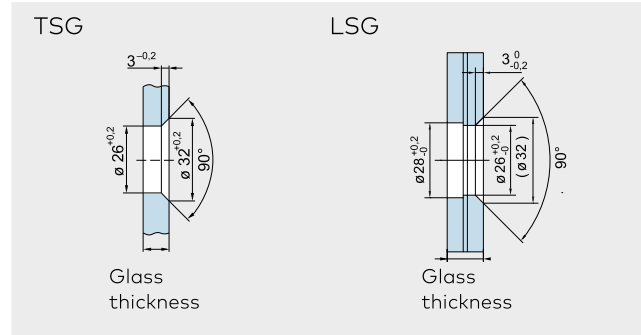
Glass preparation connection system

For TSG and LSG from TSG.

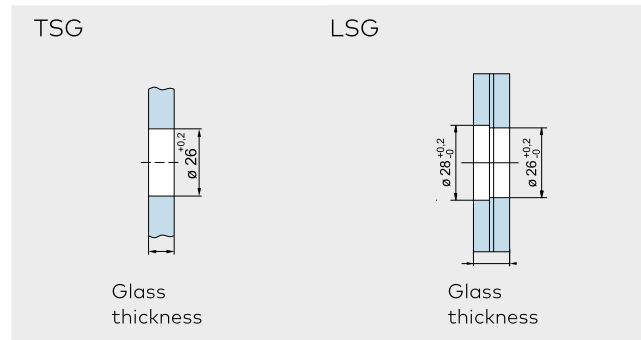
Recommended centers for fixed glazing element



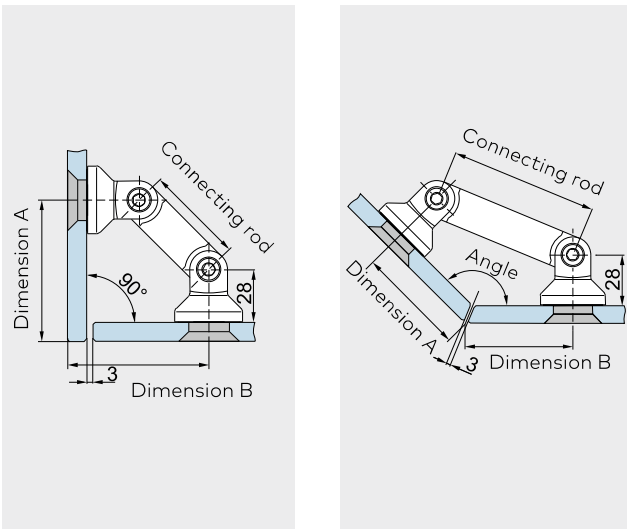
Countersunk bore for countersunk single-point fixings



Cylindrical bore for clamping disc single-point fixings



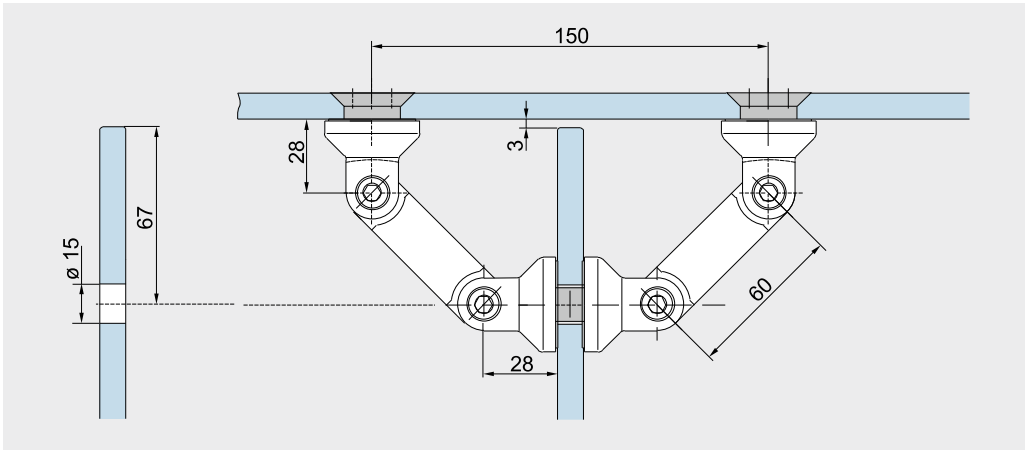
Corner connectors glass / glass 90 – 180°



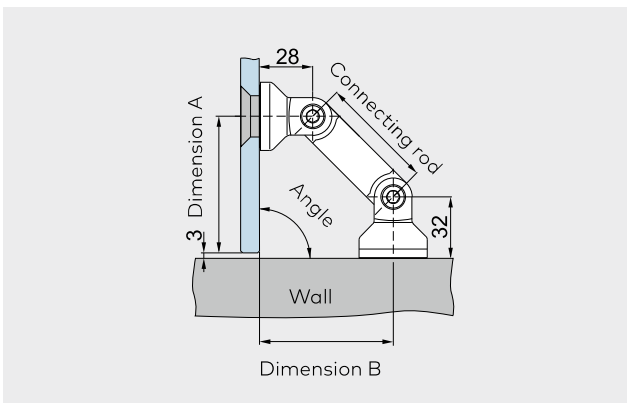
Corner connectors glass / glass (dimensions in mm)

Angle	Length of connecting rod			
	52.5	60	82	103
Dimensions for 10 mm glass thickness. Consider variants for other glass thicknesses.				
90°	A/B	A/B	A/B	A/B
90°	75	80	96	
95°	70	75	90	
100°	66	71	85	
105°	62	67	81	
110°	59	63	77	
115°	55	60	73	
120°	52	56	69	
125°	49	54	66	
130°	47	51	63	
135°	44	48	60	
180°				50

Clamping connector



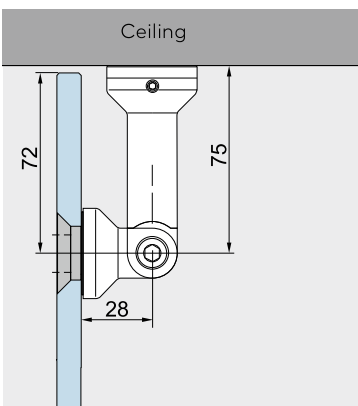
Corner connectors glass / wall 90 – 180°



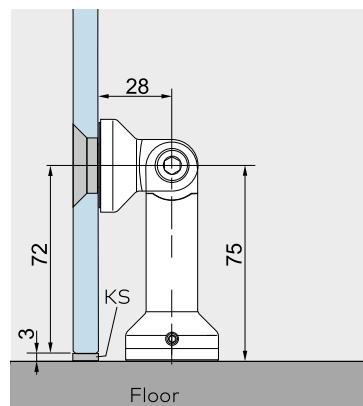
Glass / wall (dimensions in mm)

Length of connecting rod			
	52.5	60	82
Dimensions for 10 mm glass thickness. Consider variants for other glass thicknesses.			
Angle	A/B	A/B	A/B
90°	67/65	72/70	87.5/86

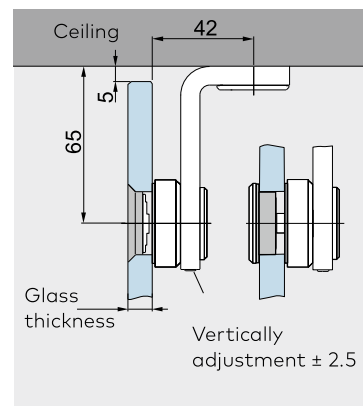
Corner connector glass / ceiling



Corner connector glass / floor



Ceiling fixing (bearing)



Note: Ensure compliance with minimum glass/bore clearances as per glass manufacturer recommendations. Glass preparation with a tolerance of max. ± 0.3 mm is recommended.